



**DISCOVERY
SCIENCE CENTER**

**CINNABAR
CALIFORNIA, INC.**

4571 ELECTRONICS PL
Los Angeles, CA 90039
P: 818-842-8190
F: 818-842-0563
www.cinnabar.com

FOR APPROVAL: _____

REVISIONS:

DATE	DESCRIPTION	REV. NO.

SCALE: AS NOTED

DRAWN BY: C. CONTI DATE DRAWN: 8/30/2011

CHECK BY: J.C. PROJ. MGR.: J.L.

PROJECT NAME: **DSC**

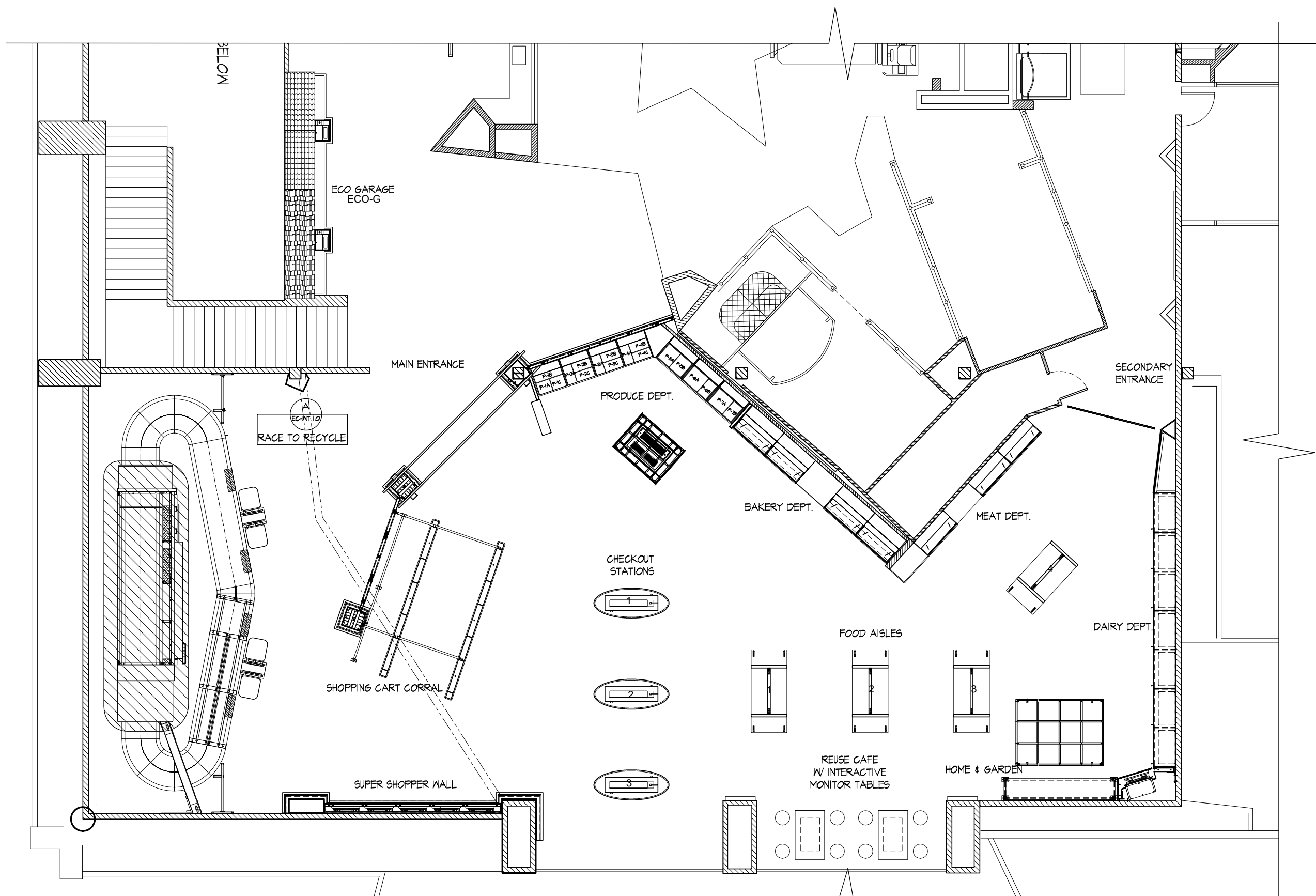
PROJECT NO.: **12983**

TITLE: PLAN VIEW - WASTE TRUCK LOCATION LOCATION	PROJECT:	2500 NORTH MAIN STREET SANTA ANA, CA 92705
	LOCATION:	DISCOVERY SCIENCE CENTER

DRAWING NUMBER:

EC-WT LOCALE

REV. NUMBER:



PLAN - ECO STORE & WASTE TRUCK ELEMENT LOCATIONS
SCALE: NTS

FOR APPROVAL:

REVISIONS:

DATE	DESCRIPTION	REV. NO.

SCALE:

AS NOTED

DRAWN BY: C. CONTI	DATE DRAWN: 8/30/2011
CHECK BY: J.C.	PROJ. MGR.: J.L.

PROJECT NAME:

DSC

PROJECT NO.:

12983

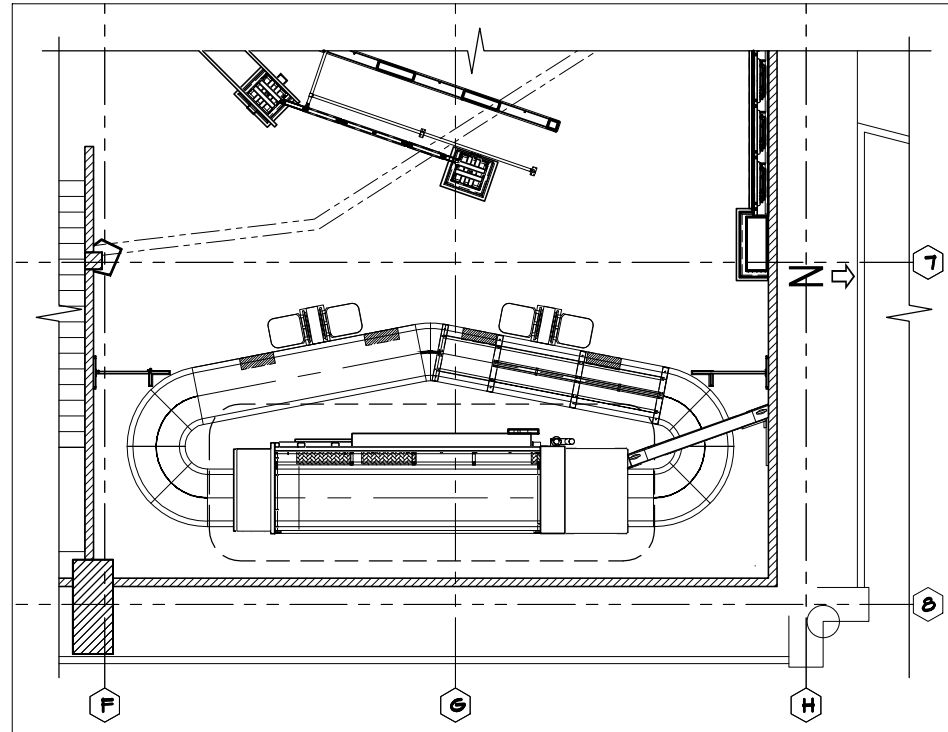
TITLE:	EC: WASTE TRUCK OVERALL
PROJECT:	DISCOVERY SCIENCE CENTER ECO STORE & WASTE TRUCK
LOCATION:	2500 MAIN STREET SANTA ANA, CA 92705

DRAWING NUMBER:

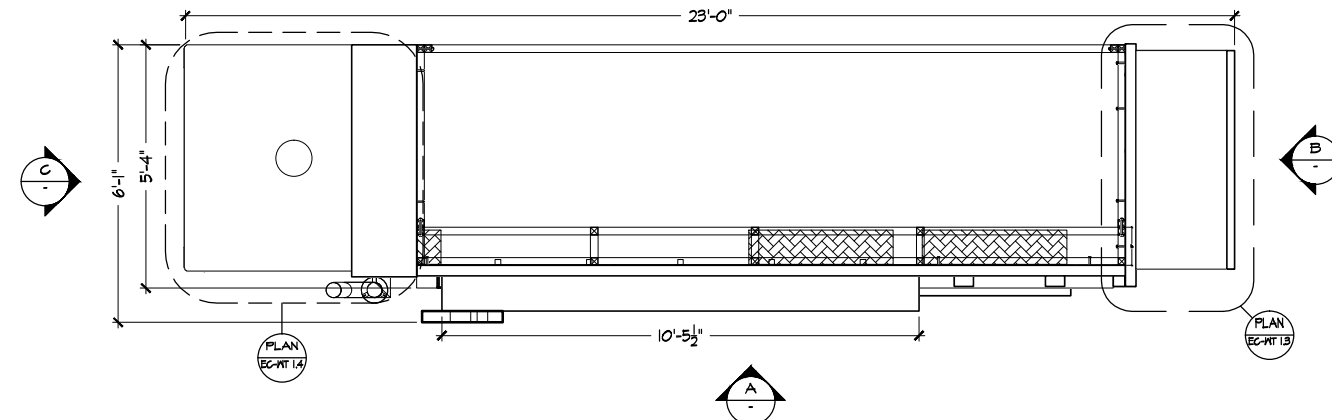
EC-WT 1.0

REV. NUMBER:

NOTES:
-ALL LIGHTING, FIXTURES,
PROPS & DIMENSIONAL DETAILS
TO BE SPECIFIED.



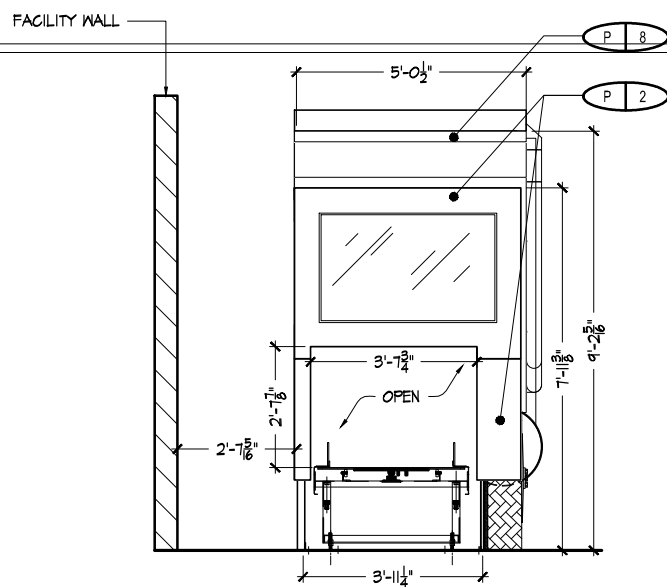
KEY PLAN - WASTE TRUCK
SCALE: 3/16"=1'-0"



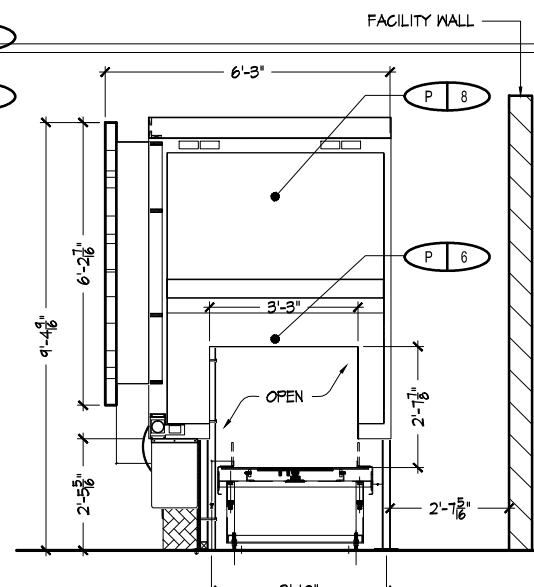
PLAN
SCALE: 1/2"=1'-0"

FINISH CHART

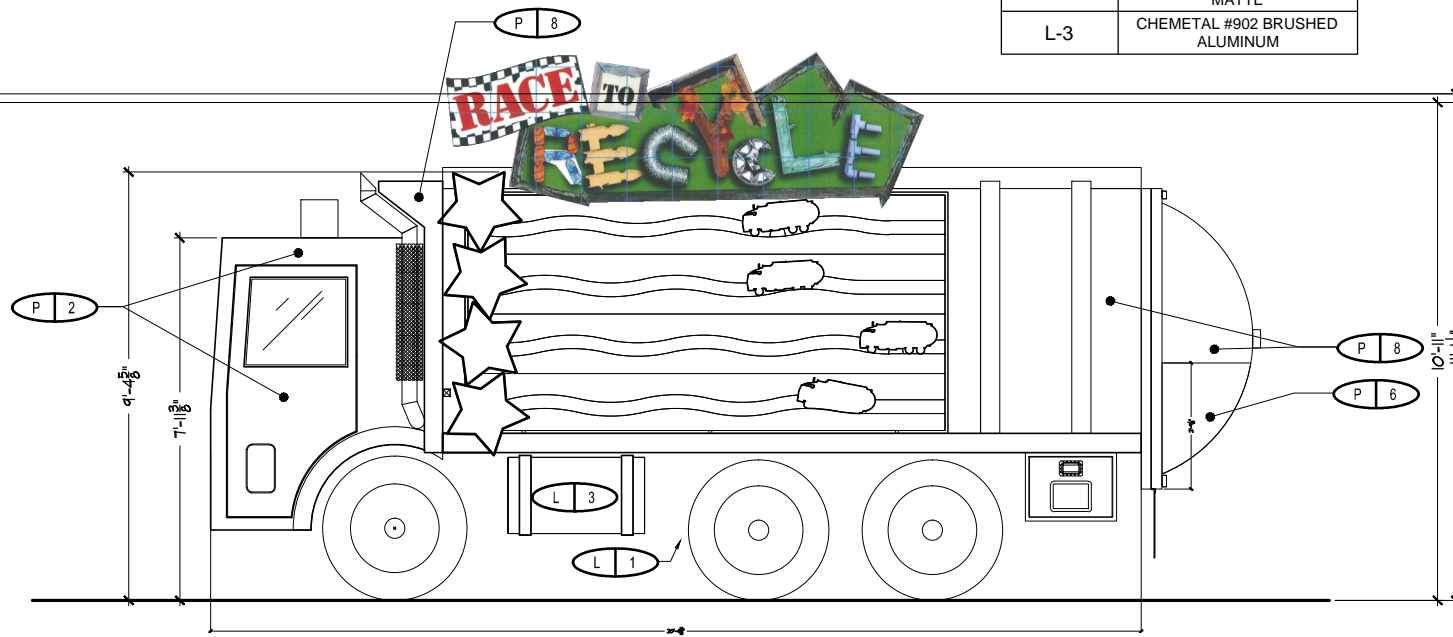
P-2	EVR-GARD #00 WHITE SEMI-GLOSS
P-6	EVR-GARD #7053D FIELD DAISY
P-8	EVR-GARD #71A INVITING GREEN
L-1	FORMICA #909-58 BLACK MATTE
L-3	CHEMETAL #902 BRUSHED ALUMINUM



FRONT ELEVATION
SCALE: 1/2"=1'-0"



REAR ELEVATION
SCALE: 1/2"=1'-0"



ELEVATION
SCALE: 1/2"=1'-0"



DISCOVERY
SCIENCE CENTER

CINNABAR
CALIFORNIA, INC.

4571 ELECTRONICS PL
Los Angeles, CA 90039
P: 818-842-8190
F: 818-842-0563
www.cinnabar.com

FOR APPROVAL:

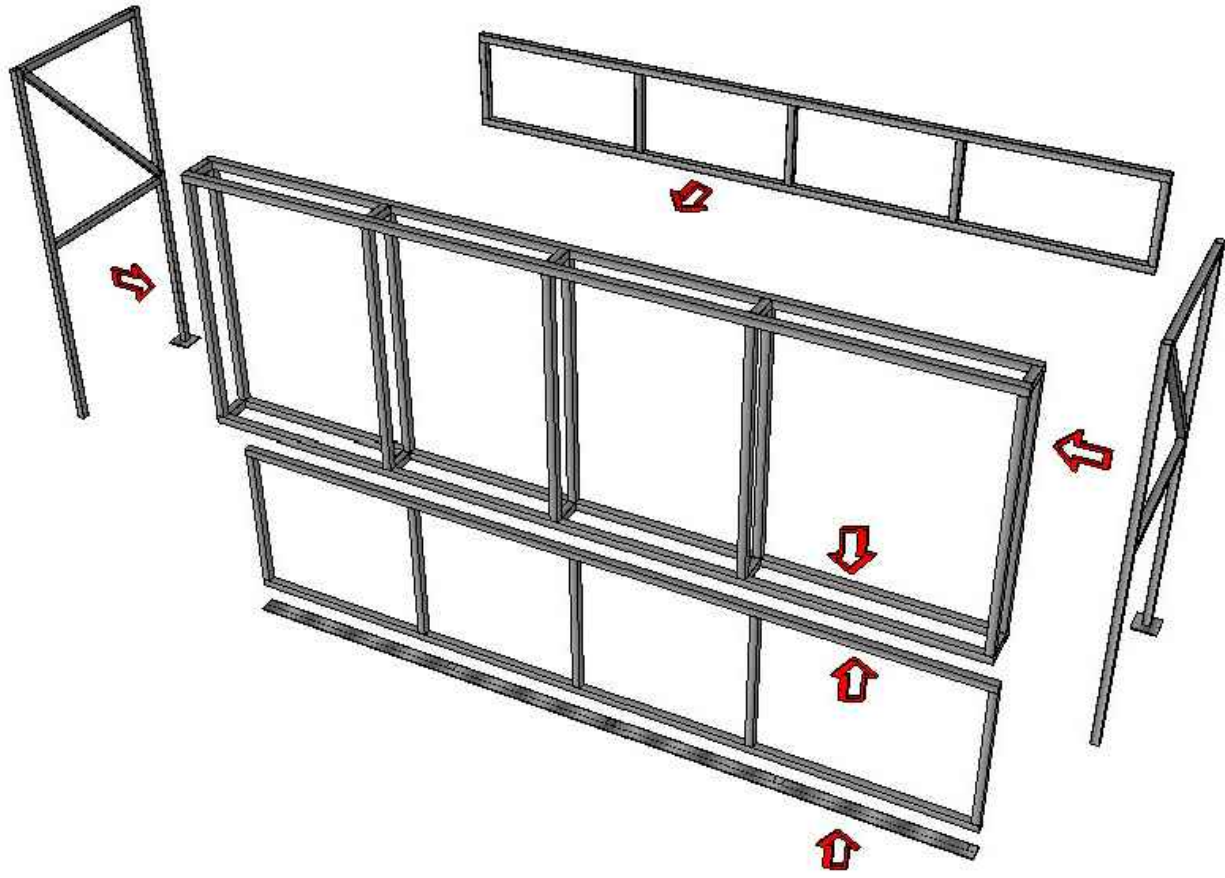
REVISIONS:		
DATE	DESCRIPTION	REV. NO.
		REV. NO.

SCALE:		AS NOTED
DRAWN BY:	C. CONTI	DATE DRAWN:
		8/30/2011
CHECK BY:	J.C.	PROJ. MGR.:
		J.L.
PROJECT NAME:		
DSC		
PROJECT NO.:		
12983		

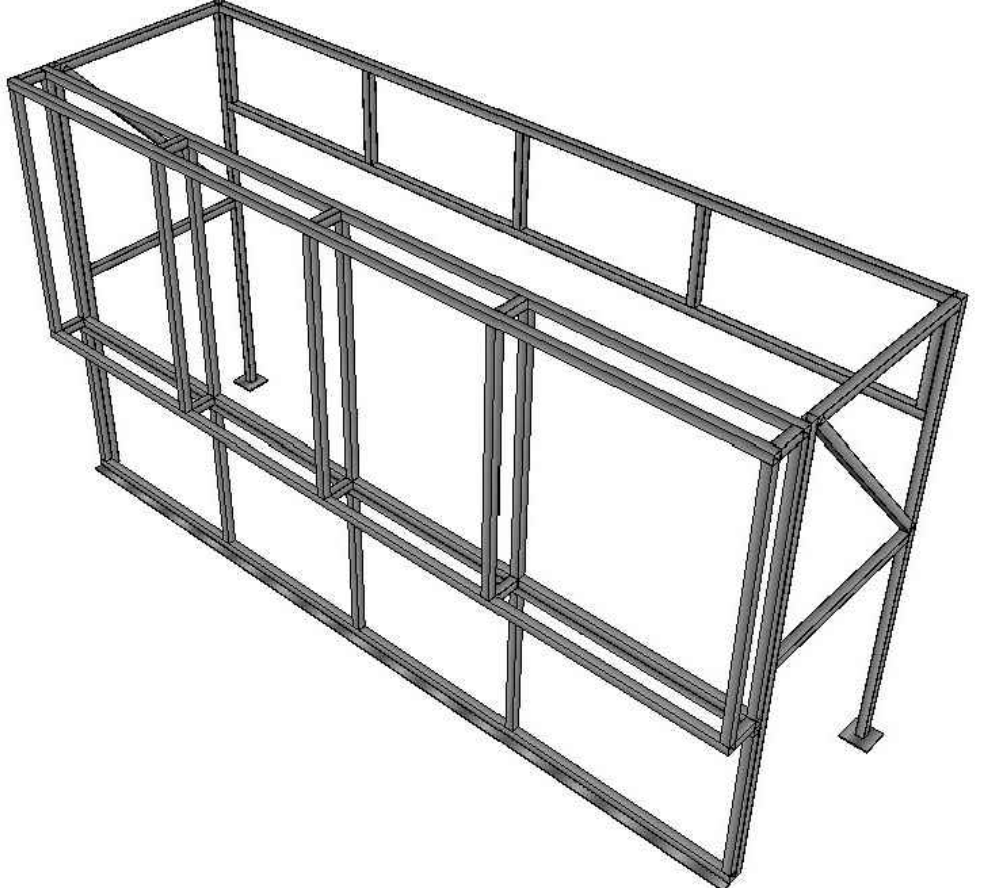
TITLE:	EC: ASSEMBLY VIEW
PROJECT:	DISCOVERY SCIENCE CENTER ECO STORE & WASTE TRUCK
LOCATION:	2500 MAIN STREET SANTA ANA, CA 92705

DRAWING NUMBER:
EC-WT 1.1P

REV. NUMBER:



2X2 11g T.S.
PERSPECTIVE VIEW OF ASSEMBLY
SCALE: N/A



2X2 11g T.S.
PERSPECTIVE VIEW OF ASSEMBLY
SCALE: N/A



DISCOVERY
SCIENCE CENTER

CINNABAR
CALIFORNIA, INC.

4571 ELECTRONICS PL
Los Angeles, CA 90039
P: 818-842-8190
F: 818-842-0563
www.cinnabar.com

FOR APPROVAL:

REVISIONS:

DATE	DESCRIPTION	REV. NO.

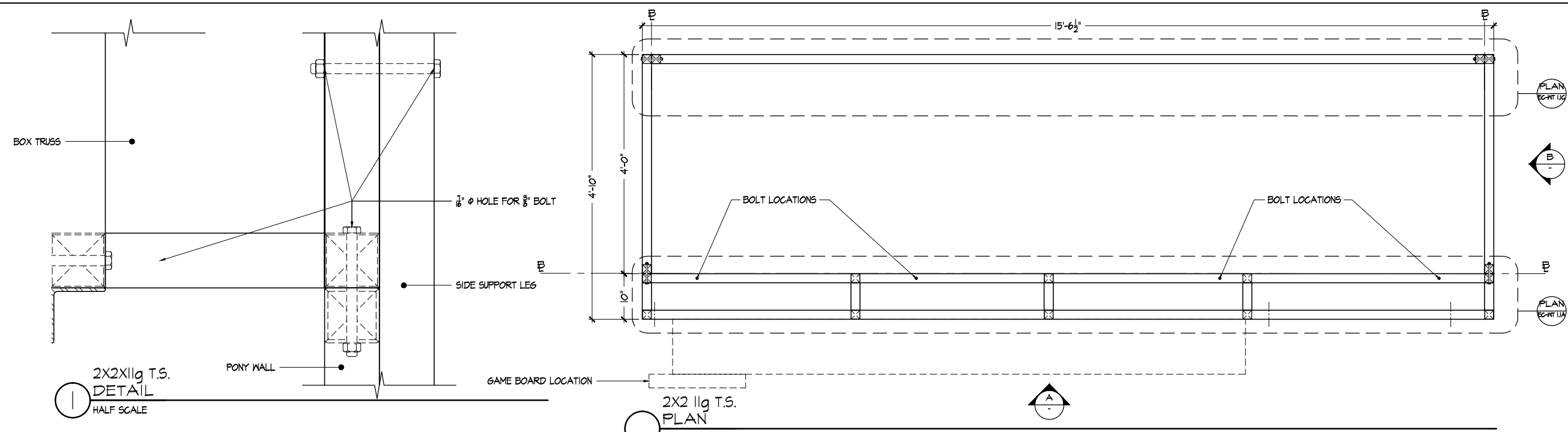
SCALE: AS NOTED

DRAWN BY: C. CONTI	DATE DRAWN: 8/30/2011
CHECK BY: J.C.	PROJ. MGR.: J.L.
PROJECT NAME: DSC	
PROJECT NO.: 12983	

TITLE: EC: WASTE TRUCK STEEL OVERALL	PROJECT: DISCOVERY SCIENCE CENTER ECO STORE & WASTE TRUCK	LOCATION: 2500 MAIN STREET SANTA ANA, CA 92705
---	---	--

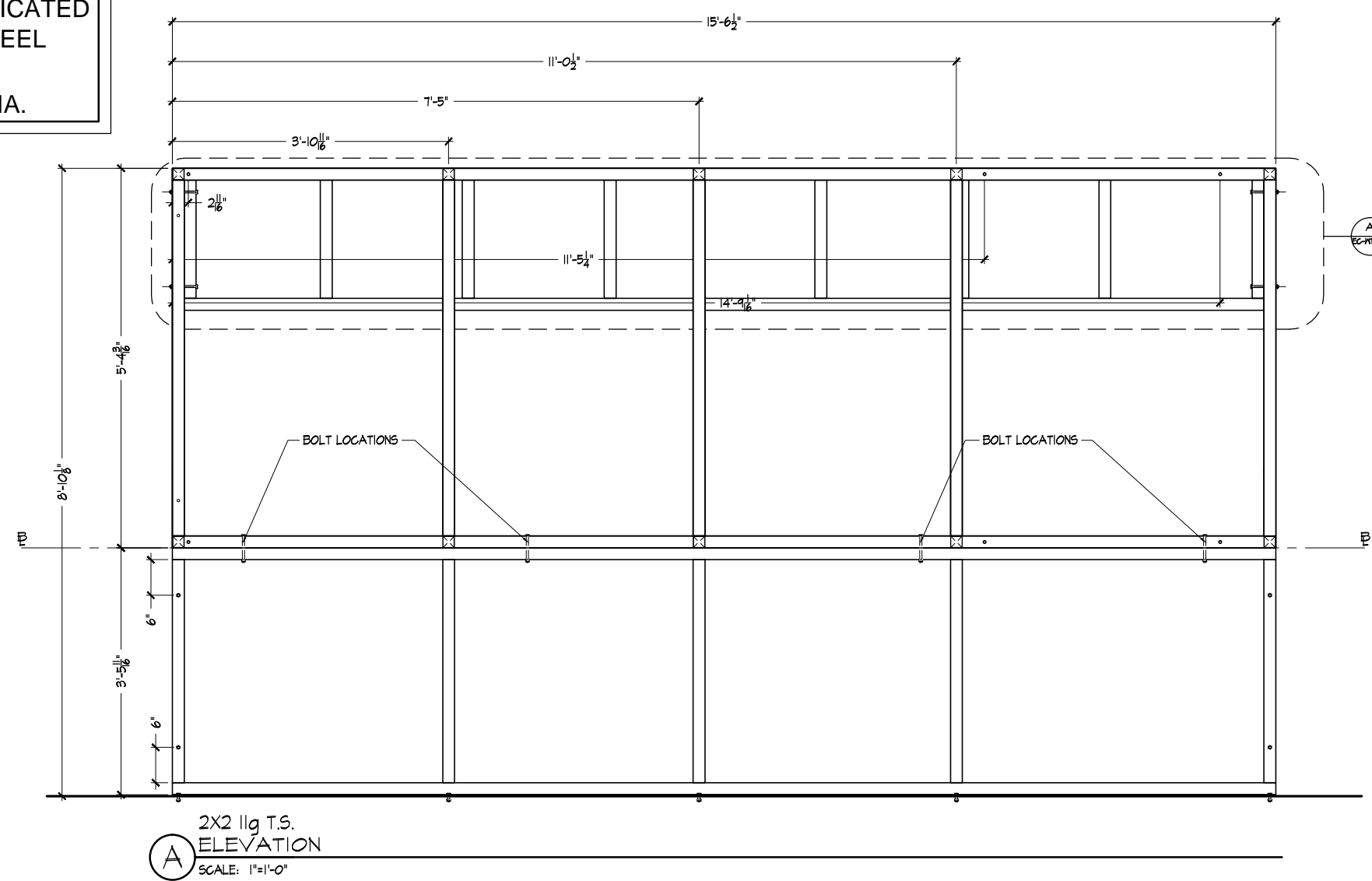
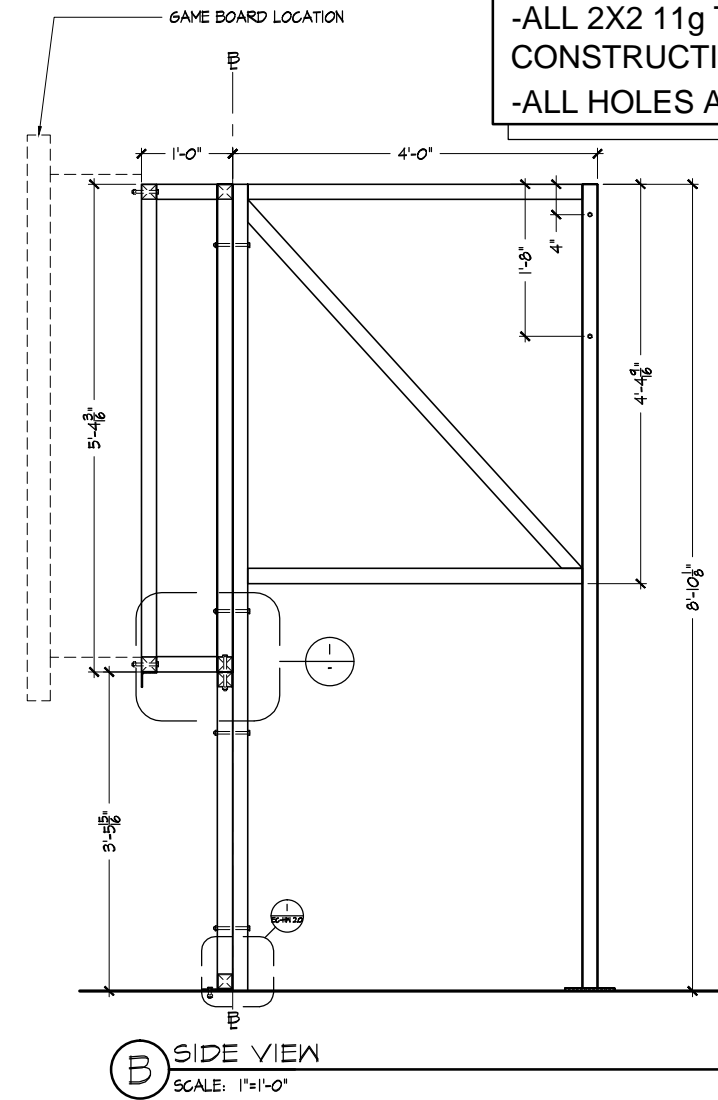
DRAWING NUMBER:
EC-WT 1.1

REV. NUMBER:



NOTES:

- BREAK UNITS AS INDICATED
- ALL 2X2 11g TUBE STEEL CONSTRUCTION.
- ALL HOLES ARE $\frac{7}{16}$ " DIA.





DISCOVERY
SCIENCE CENTER

CINNABAR
CALIFORNIA, INC.

4571 ELECTRONICS PL
Los Angeles, CA 90039
P: 818-842-8190
F: 818-842-0563
www.cinnabar.com

FOR APPROVAL:

REVISIONS:

DATE	DESCRIPTION	REV. NO.

SCALE: AS NOTED

DRAWN BY:	DATE DRAWN:
C. CONTI	8/30/2011
CHECK BY:	PROJ. MGR.:
J.C.	J.L.

PROJECT NAME: DSC

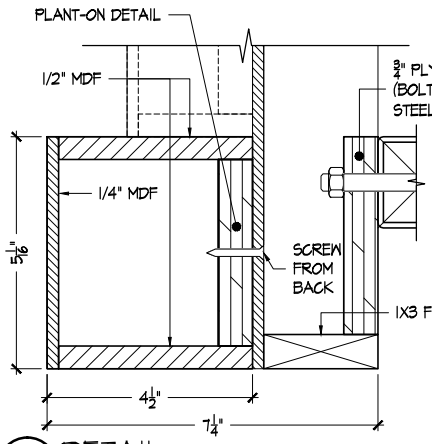
PROJECT NO.: 12983

TITLE:	EC: WASTE TRUCK GAME BOARD FRAMING
PROJECT:	DISCOVERY SCIENCE CENTER ECO STORE & WASTE TRUCK
LOCATION:	2500 MAIN STREET SANTA ANA, CA 92705

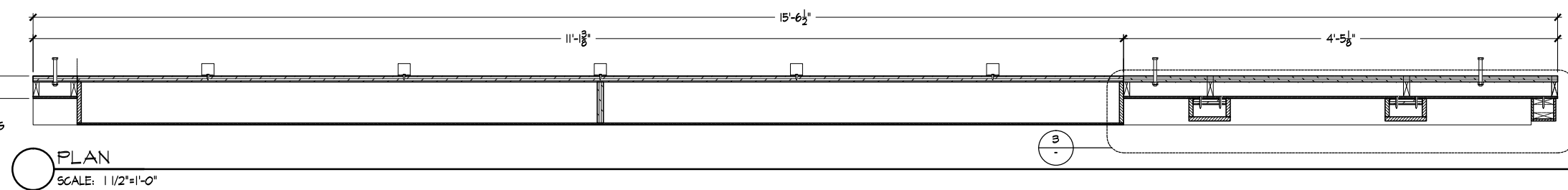
DRAWING NUMBER:

EC-WT 1.2A

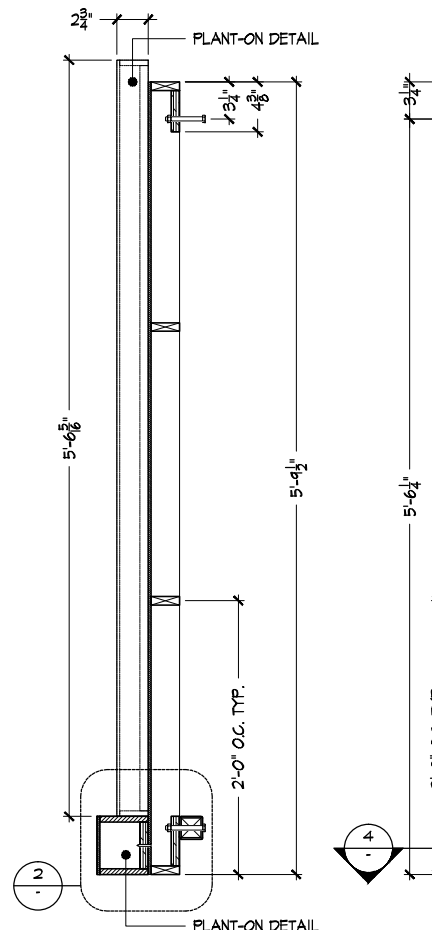
REV. NUMBER:



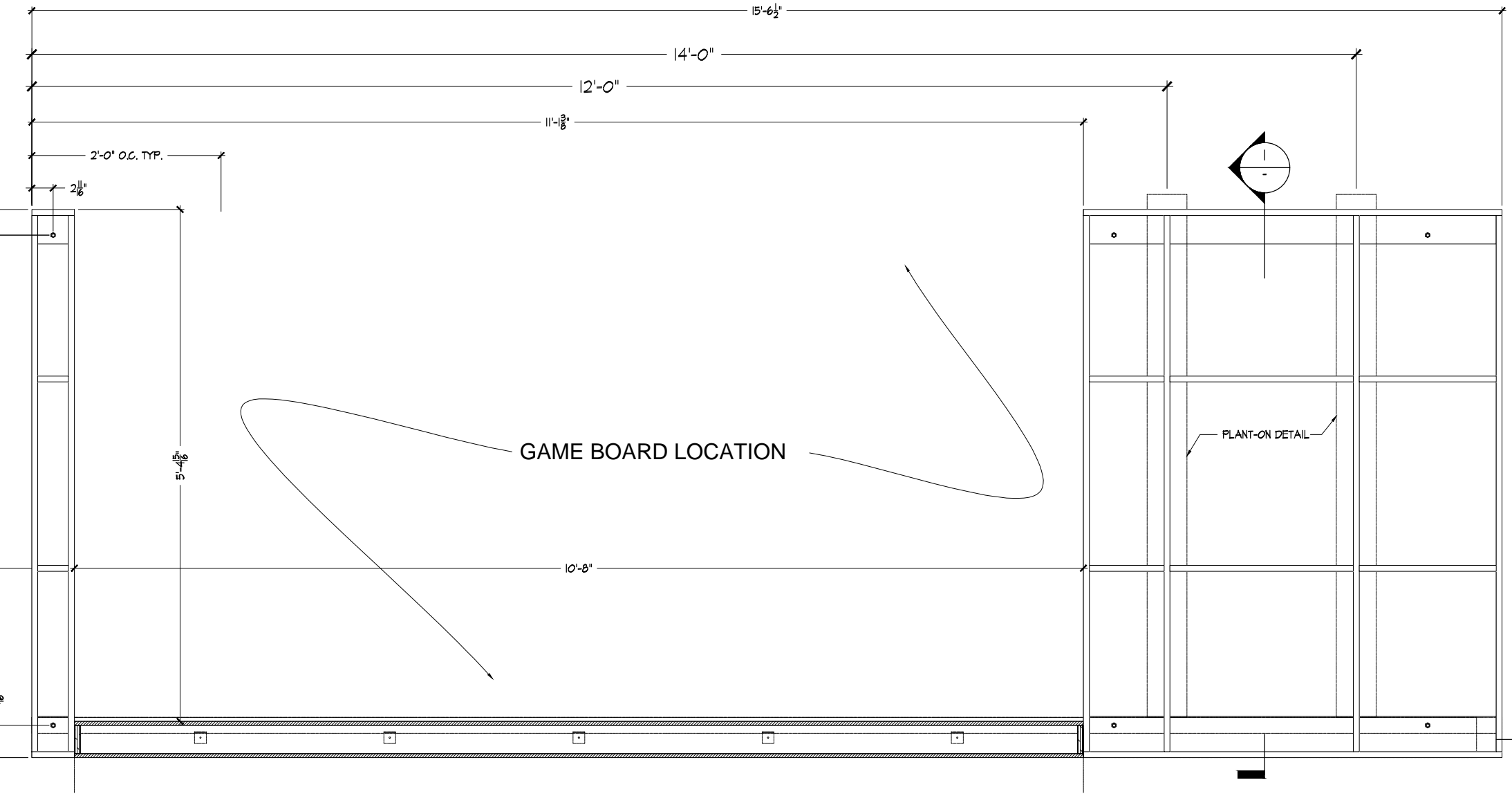
2 DETAIL
HALF SCALE



PLAN
SCALE: 1 1/2"=1'-0"



1 SECTION
SCALE: 1 1/2"=1'-0"



A ELEVATION - WOOD FRAMING
SCALE: 1 1/2"=1'-0"

GAME BOARD LOCATION

PLANT-ON DETAIL



CINNABAR
CALIFORNIA, INC.

4571 ELECTRONICS PL
Los Angeles, CA 90039
P: 818-842-8190
F: 818-842-0563
www.cinnabar.com

FOR APPROVAL:

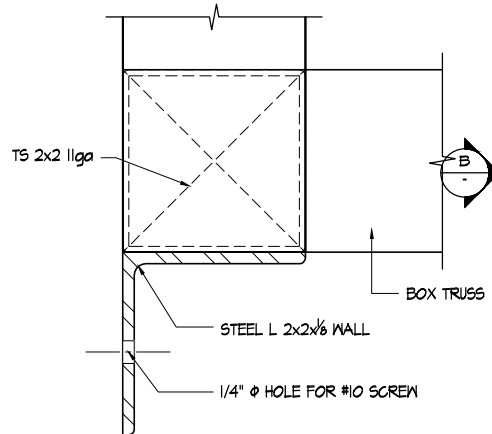
REVISIONS:

DATE	DESCRIPTION	REV. NO.

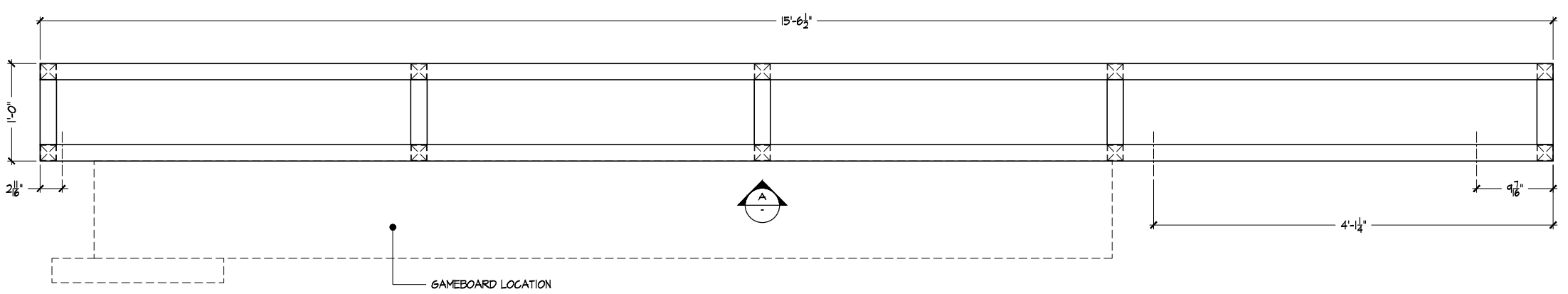
SCALE: AS NOTED
 DRAWN BY: C. CONTI DATE DRAWN: 8/30/2011
 CHECK BY: J.C. PROJ. MGR.: J.L.
 PROJECT NAME: DSC
 PROJECT NO.: 12983

TITLE: EC-WT: BOX TRUSS FOR GAMEBOARD
 PROJECT: DISCOVERY SCIENCE CENTER
 ECO STORE & WASTE TRUCK
 LOCATION: 2500 MAIN STREET
 SANTA ANA, CA 92705

DRAWING NUMBER:
EC-WT 1.1A
 REV. NUMBER:

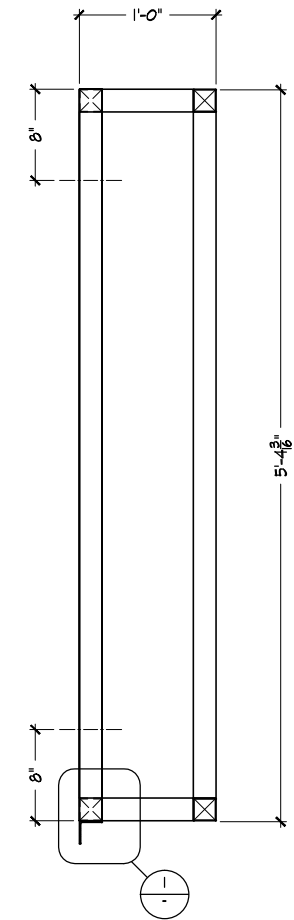


I DETAIL
FULL SCALE

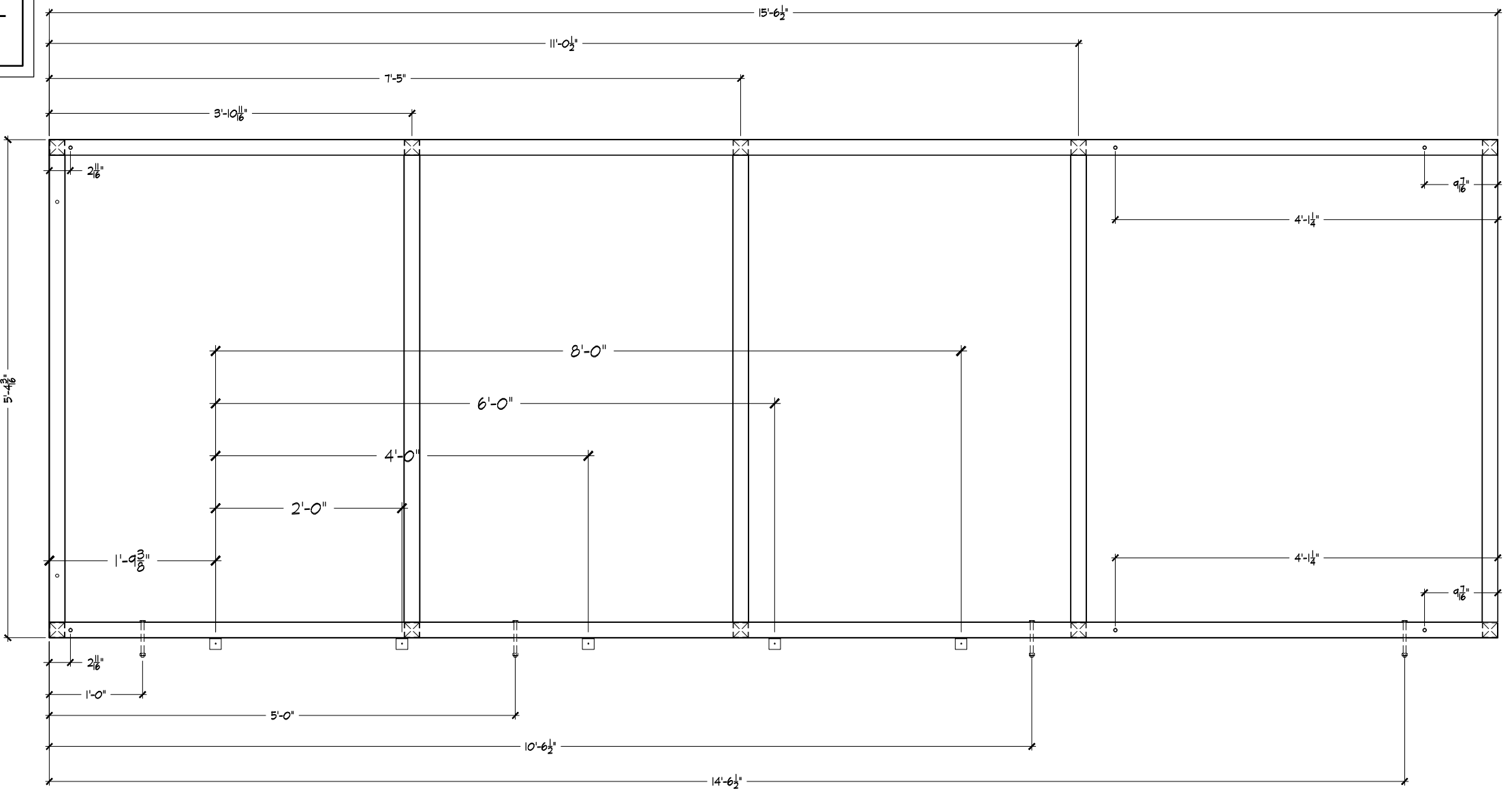


2X2 11g T.S. BUILD 1 UNIT PLAN
SCALE: 1 1/2"=1'-0"

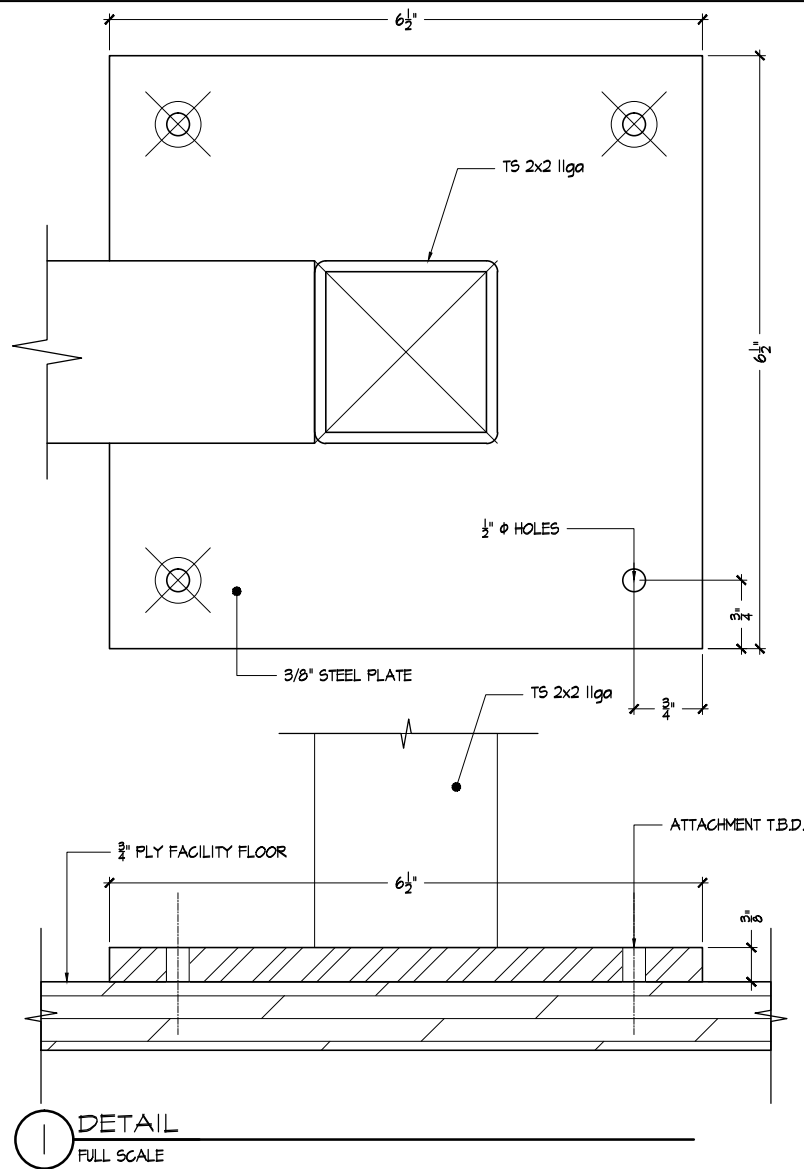
NOTES:
 -BUILD ONE UNIT.
 -USE 2X2 11g TUBE STEEL
 -ALL HOLES ARE 7/16" DIA.



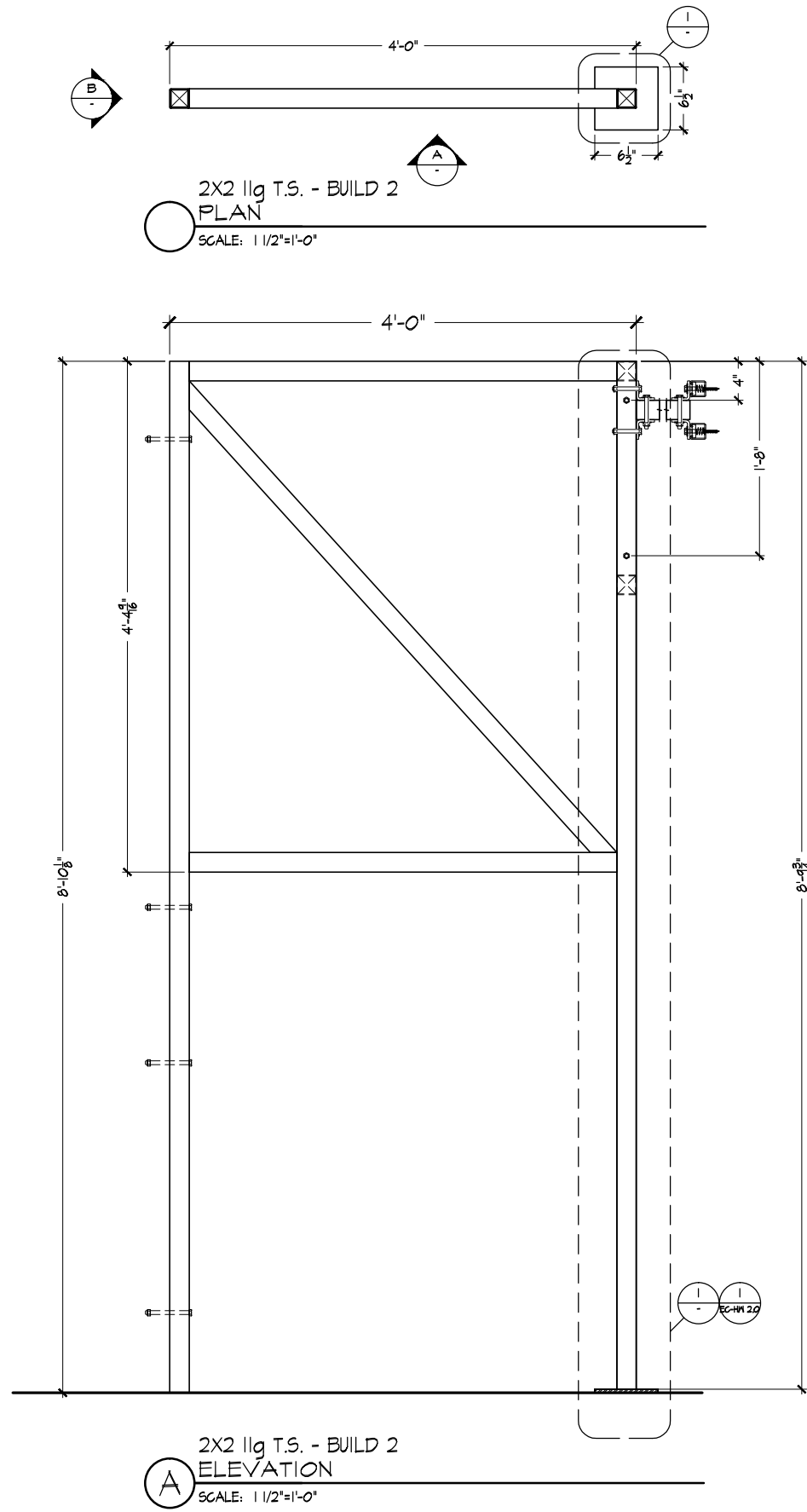
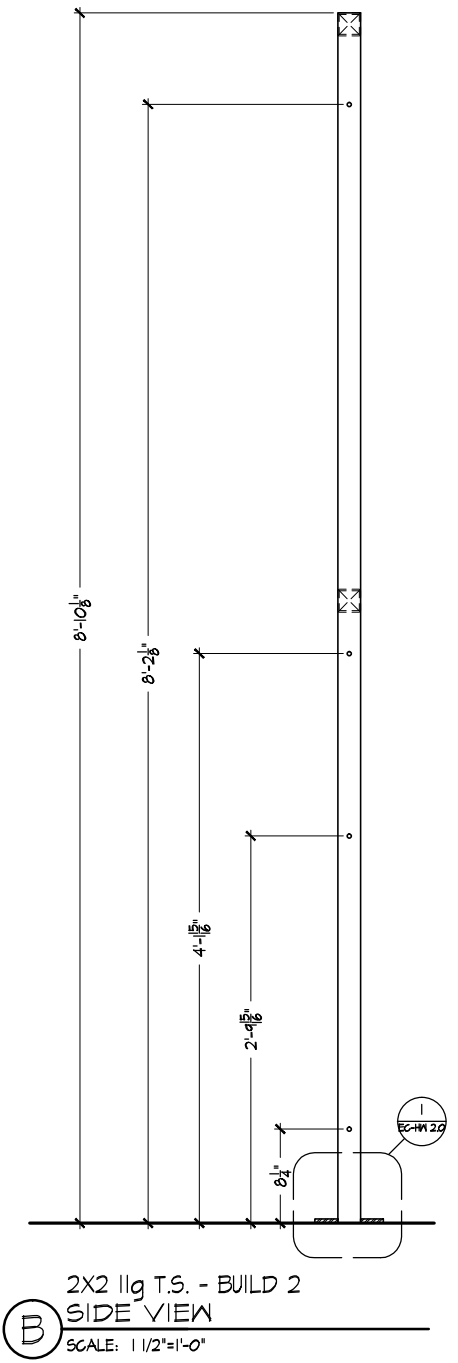
B 2X2 11g T.S. BUILD 1 UNIT
SIDE VIEW
SCALE: 1 1/2"=1'-0"



A 2X2 11g T.S. BUILD 1 UNIT
ELEVATION
SCALE: 1 1/2"=1'-0"



NOTES:
 -BUILD TWO UNITS.
 -USE 2X2 11g TUBE STEEL
 -ALL HOLES ARE $\frac{7}{16}$ " DIA.



CINNABAR
 CALIFORNIA, INC.

4571 ELECTRONICS PL
 Los Angeles, CA 90039
 P: 818-842-8190
 F: 818-842-0563
 www.cinnabar.com

FOR APPROVAL:

REVISIONS:

DATE	DESCRIPTION	REV. NO.

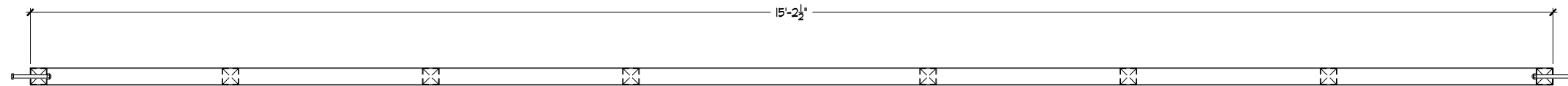
SCALE: AS NOTED
 DRAWN BY: C. CONTI DATE DRAWN: 8/30/2011
 CHECK BY: J.C. PROJ. MGR.: J.L.
 PROJECT NAME: DSC
 PROJECT NO.: 12983

TITLE: EC: WASTE TRUCK STEEL - STEEL SIDE FRAMING
 PROJECT: DISCOVERY SCIENCE CENTER
 ECO STORE & WASTE TRUCK
 LOCATION: 2500 MAIN STREET
 SANTA ANA, CA 92705

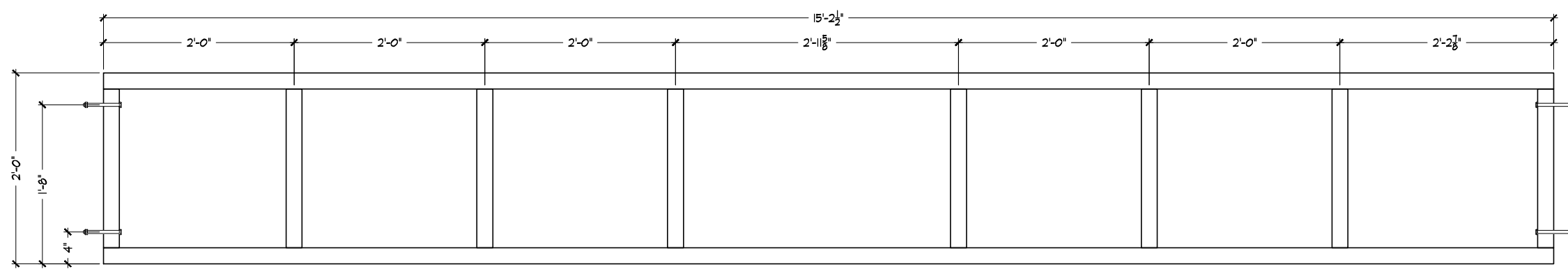
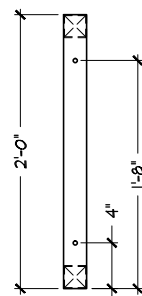
DRAWING NUMBER: EC-WT 1.1B

REV. NUMBER:

NOTES:
 -BUILD ONE UNIT.
 -USE 2X2 11g TUBE STEEL
 -ALL HOLES ARE $\frac{7}{16}$ " DIA.



2X2 11g T.S.
 PLAN - UPPER REAR LADDER TRUSS
 SCALE: 1 1/2"=1'-0"



2X2 11g T.S.
 ELEVATION - UPPER REAR LADDER TRUSS
 SCALE: 1 1/2"=1'-0"



DISCOVERY
SCIENCE CENTER

CINNABAR
CALIFORNIA, INC.

4571 ELECTRONICS PL
 Los Angeles, CA 90039
 P: 818-842-8190
 F: 818-842-0563
 www.cinnabar.com

FOR APPROVAL:

REVISIONS:

DATE	DESCRIPTION	REV. NO.

SCALE:

AS NOTED

DRAWN BY: C. CONTI	DATE DRAWN: 8/30/2011
CHECK BY: J.C.	PROJ. MGR. : J.L.

PROJECT NAME:
DSC

PROJECT NO. :
12983

TITLE: EC: WASTE TRUCK STEEL - STEEL HEADER FRAME	PROJECT: DISCOVERY SCIENCE CENTER ECO STORE & WASTE TRUCK	LOCATION: 2500 MAIN STREET SANTA ANA, CA 92705
--	---	--

DRAWING NUMBER:

EC-WT 1.1C

REV. NUMBER:



DISCOVERY
SCIENCE CENTER

CINNABAR
CALIFORNIA, INC.

4571 ELECTRONICS PL
Los Angeles, CA 90039
P: 818-842-8190
F: 818-842-0563
www.cinnabar.com

FOR APPROVAL:

REVISIONS:

DATE	DESCRIPTION	REV. NO.

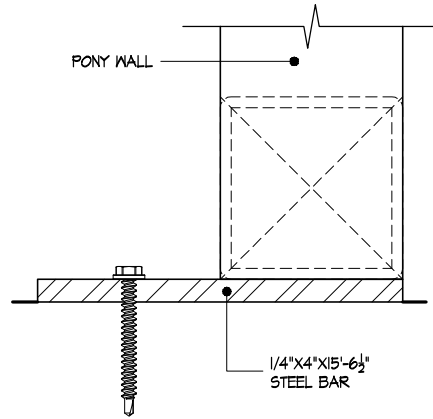
SCALE: AS NOTED

DRAWN BY: C. CONTI	DATE DRAWN: 8/30/2011
CHECK BY: J.C.	PROJ. MGR.: J.L.
PROJECT NAME: DSC	
PROJECT NO.: 12983	

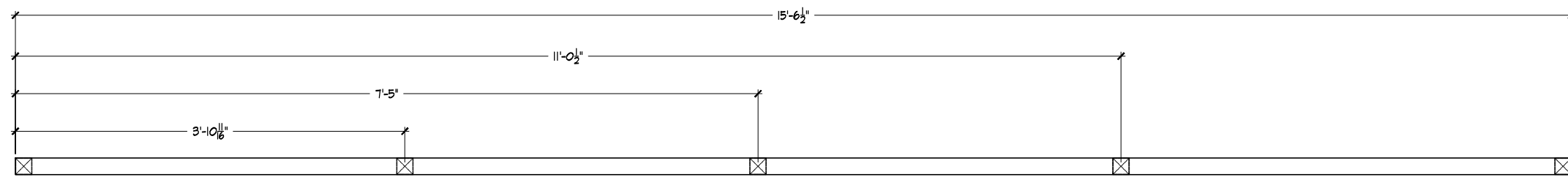
TITLE: EC: WASTE TRUCK STEEL - PONY WALL	PROJECT: DISCOVERY SCIENCE CENTER ECO STORE & WASTE TRUCK	LOCATION: 2500 MAIN STREET SANTA ANA, CA 92705
--	---	--

DRAWING NUMBER:
EC-WT 1.1D

REV. NUMBER:

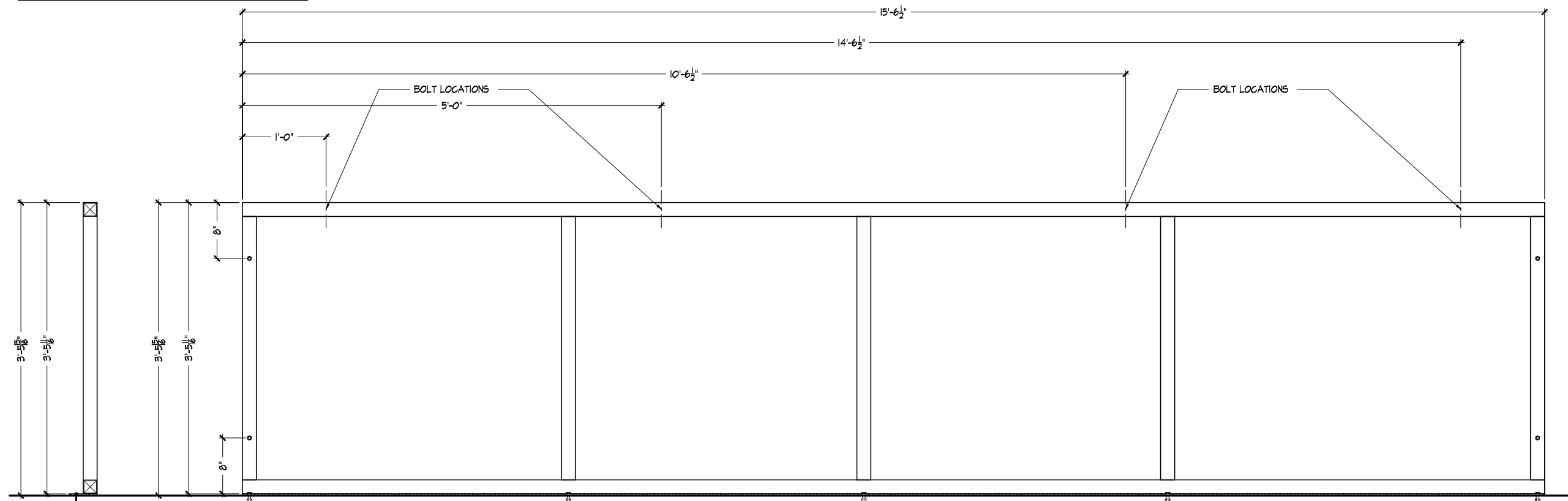


DETAIL
FULL SCALE



2X2 11g T.S. BUILD 1 UNIT
PLAN - PONY WALL
SCALE: 1/2\"/>

NOTES:
-BUILD TWO UNITS.
-USE 2X2 11g TUBE STEEL
-ALL HOLES ARE 7/16\"/>



2X2 11g T.S. BUILD 1 UNIT
ELEVATION - PONY WALL
SCALE: 1/2\"/>



CINNABAR
CALIFORNIA, INC.

4571 ELECTRONICS PL
Los Angeles, CA 90039
P: 818-842-8190
F: 818-842-0563
www.cinnabar.com

FOR APPROVAL: _____

REVISIONS:

DATE	DESCRIPTION	REV. NO.

SCALE: AS NOTED

DRAWN BY: C. CONTI DATE DRAWN: 8/30/2011

CHECK BY: J.C. PROJ. MGR.: J.L.

PROJECT NAME: DSC

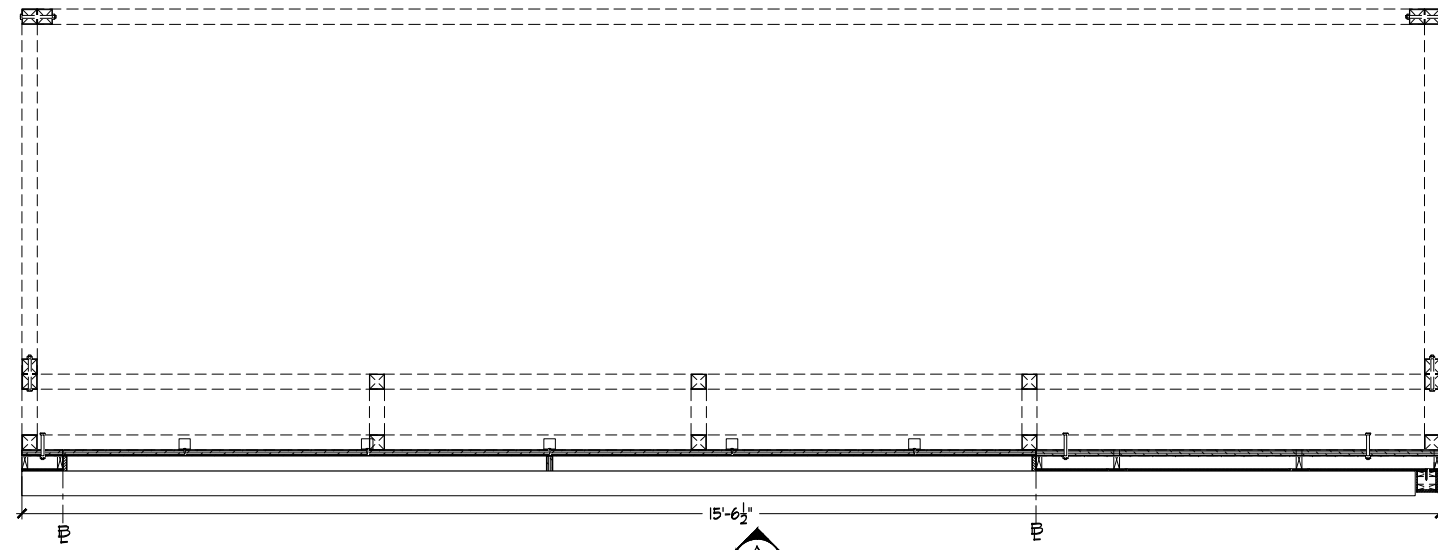
PROJECT NO.: 12983

TITLE: EC: WASTE TRUCK FRAMING
PROJECT: DISCOVERY SCIENCE CENTER ECO STORE & WASTE TRUCK
LOCATION: 2500 MAIN STREET SANTA ANA, CA 92705

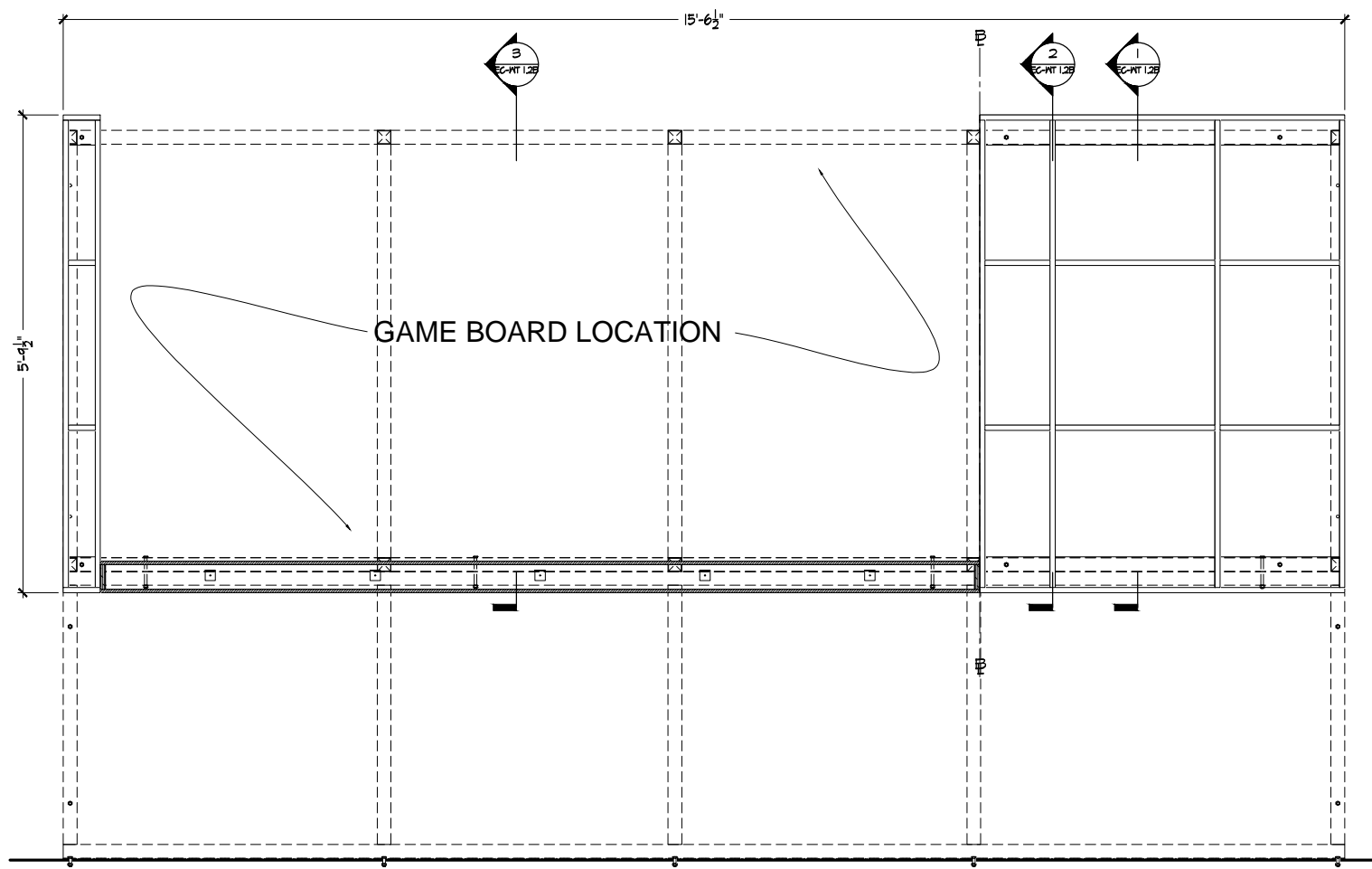
DRAWING NUMBER:

EC-WT 1.2

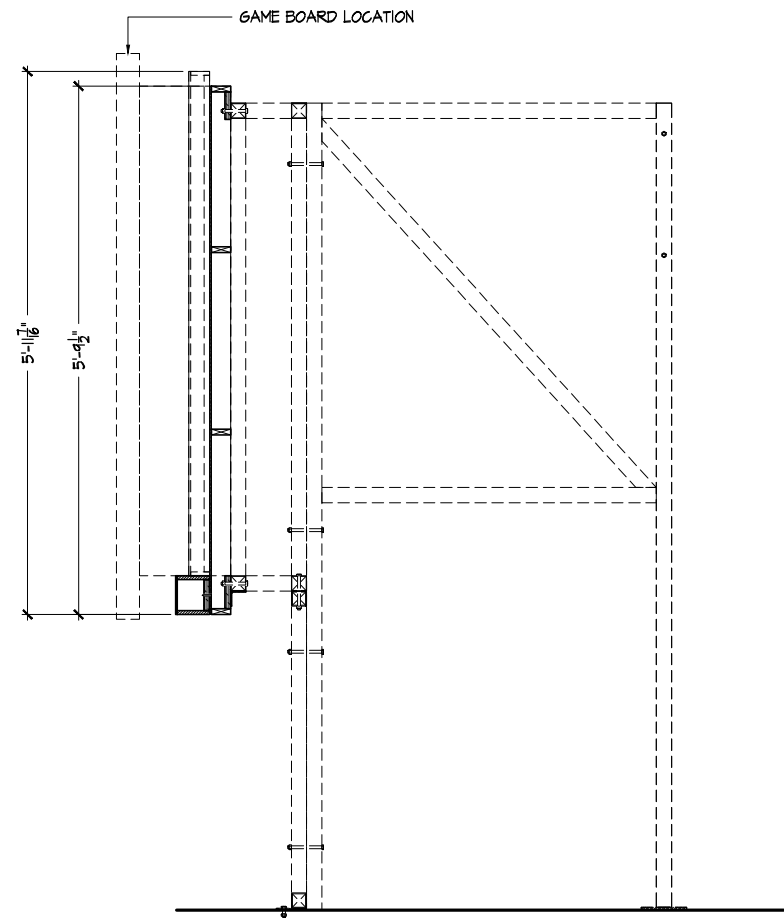
REV. NUMBER:



PLAN - TRUCK FACADE FRAMING
SCALE: 1"=1'-0"



ELEVATION - WASTE TRUCK SCENIC SIDE WALL - WOOD FRAMING
SCALE: 1"=1'-0"



SIDE VIEW
SCALE: 1"=1'-0"



DISCOVERY SCIENCE CENTER

CINNABAR CALIFORNIA, INC.

4571 ELECTRONICS PL
Los Angeles, CA 90039
P: 818-842-8190
F: 818-842-0563
www.cinnabar.com

FOR APPROVAL:

REVISIONS:

DATE	DESCRIPTION	REV. NO.

SCALE:

AS NOTED

DRAWN BY: C. CONTI	DATE DRAWN: 8/30/2011
CHECK BY: J.C.	PROJ. MGR.: J.L.

PROJECT NAME:

DSC

PROJECT NO.:

12983

TITLE:
EC: WASTE TRUCK FRAMING

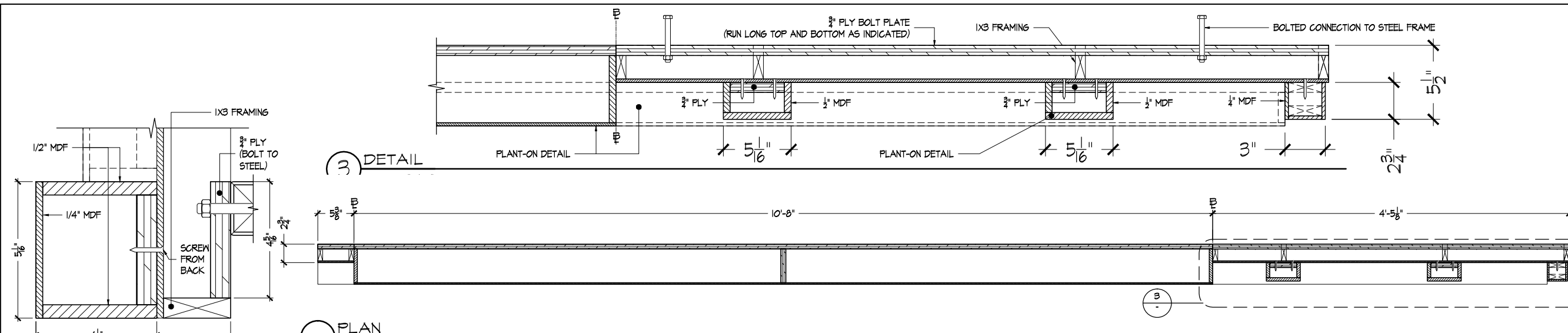
PROJECT:
DISCOVERY SCIENCE CENTER
ECO STORE & WASTE TRUCK

LOCATION:
2500 MAIN STREET
SANTA ANA, CA 92705

DRAWING NUMBER:

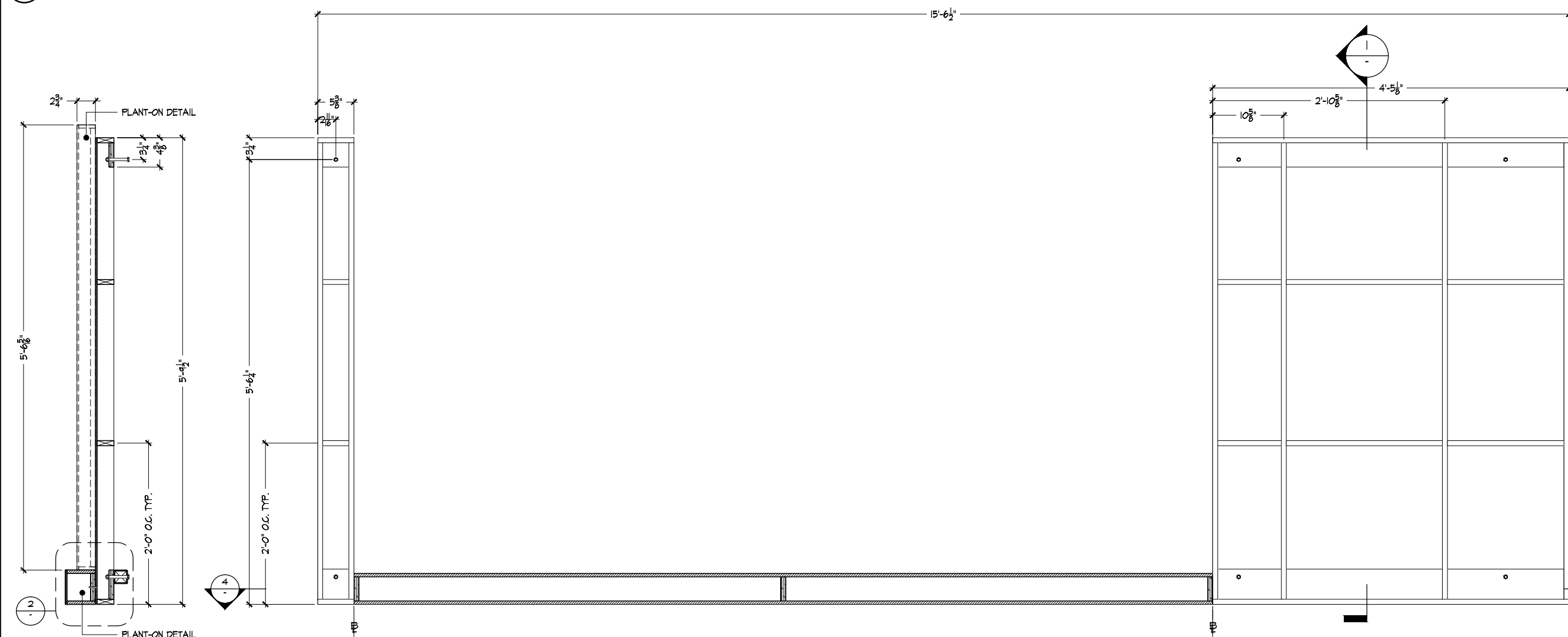
EC-WT 1.2 CARP

REV. NUMBER:



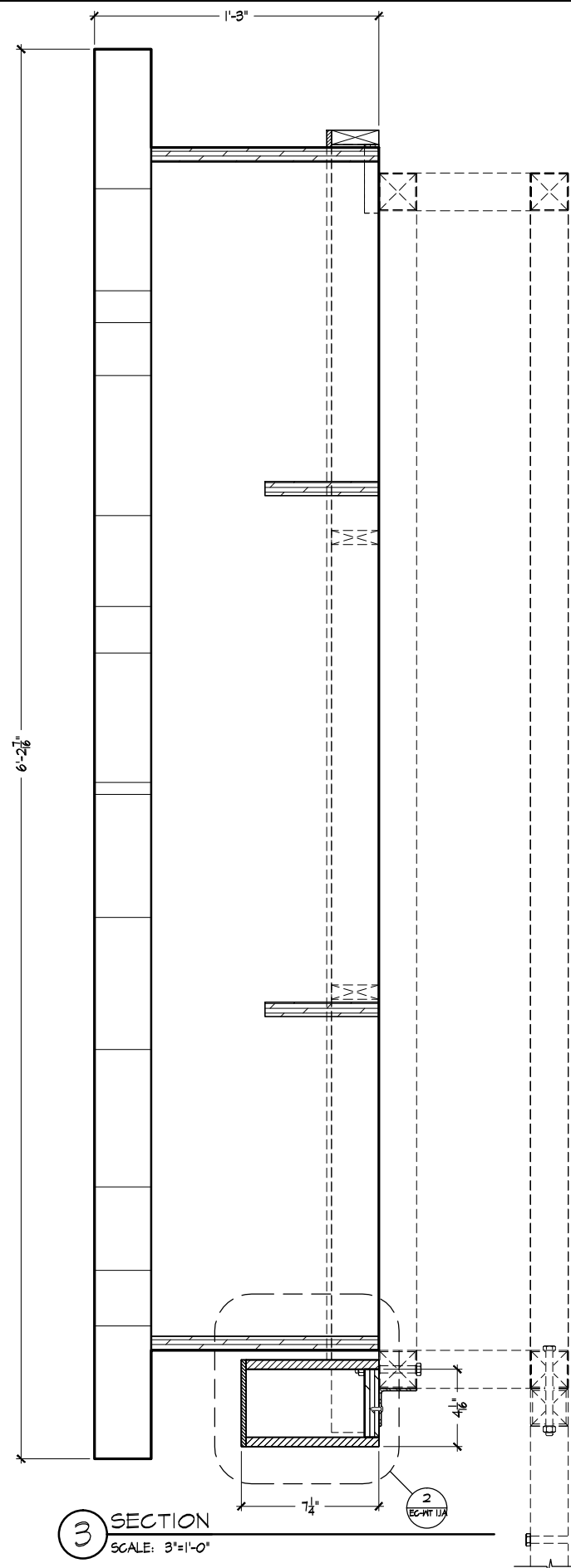
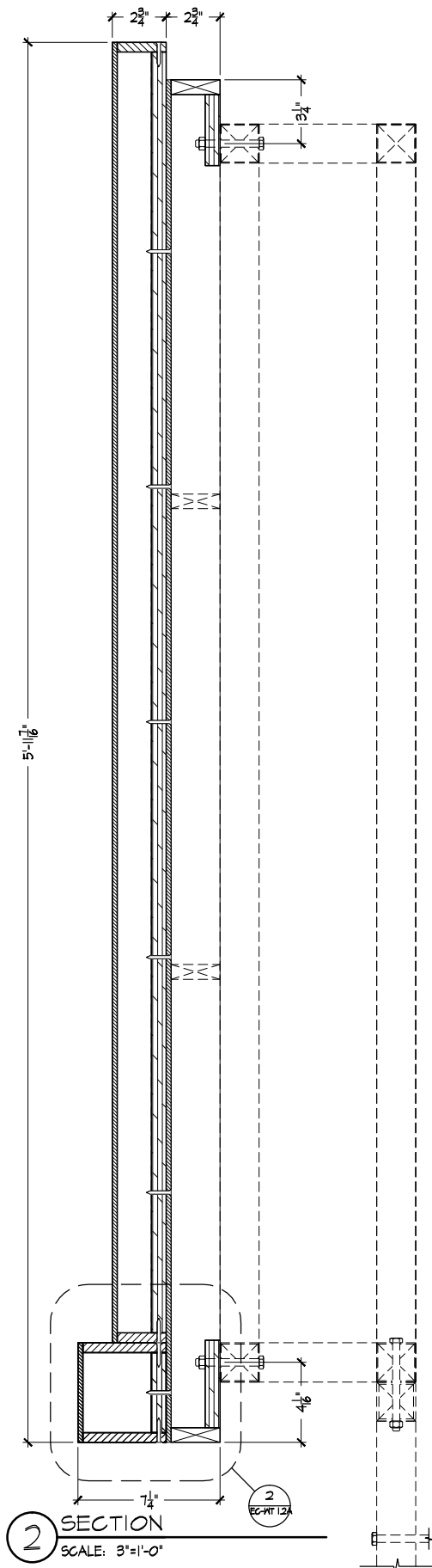
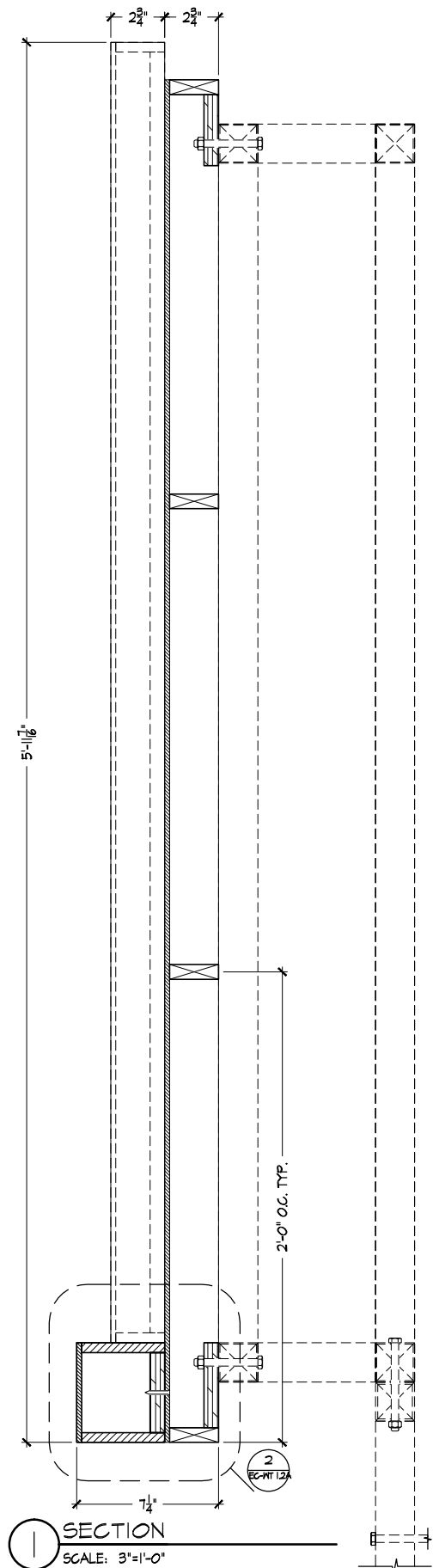
2 DETAIL
HALF SCALE

3 PLAN
SCALE: 1/2"=1'-0"



1 SECTION
SCALE: 1/2"=1'-0"

A ELEVATION - WOOD FRAMING
SCALE: 1/2"=1'-0"



DISCOVERY
SCIENCE CENTER

CINNABAR
CALIFORNIA, INC.

4571 ELECTRONICS PL
Los Angeles, CA 90039
P: 818-842-8190
F: 818-842-0563
www.cinnabar.com

FOR APPROVAL:

REVISIONS:		
DATE	DESCRIPTION	REV. NO.

SCALE: AS NOTED
 DRAWN BY: C. CONTI DATE DRAWN: 8/30/2011
 CHECK BY: J.C. PROJ. MGR.: J.L.
 PROJECT NAME: DSC
 PROJECT NO.: 12983

TITLE: EC: WASTE TRUCK SECTIONS
 PROJECT: DISCOVERY SCIENCE CENTER
 ECO STORE & WASTE TRUCK
 LOCATION: 2500 MAIN STREET
 SANTA ANA, CA 92705

DRAWING NUMBER: EC-WT 1.2B
 REV. NUMBER:



DISCOVERY
SCIENCE CENTER

CINNABAR
CALIFORNIA, INC.

4571 ELECTRONICS PL
Los Angeles, CA 90039
P: 818-842-8190
F: 818-842-0563
www.cinnabar.com

FOR APPROVAL:

REVISIONS:

DATE	DESCRIPTION	REV. NO.

SCALE:

AS NOTED

DRAWN BY: C. CONTI	DATE DRAWN: 8/30/2011
CHECK BY: J.C.	PROJ. MGR.: J.L.

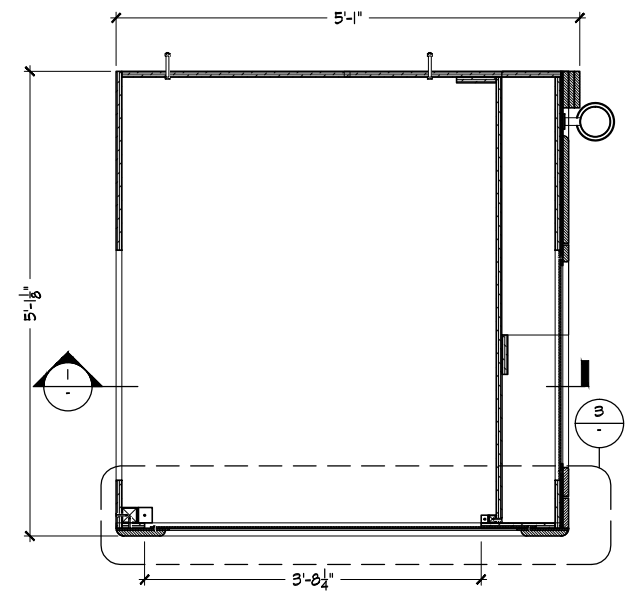
PROJECT NAME:
DSC

PROJECT NO.:
12983

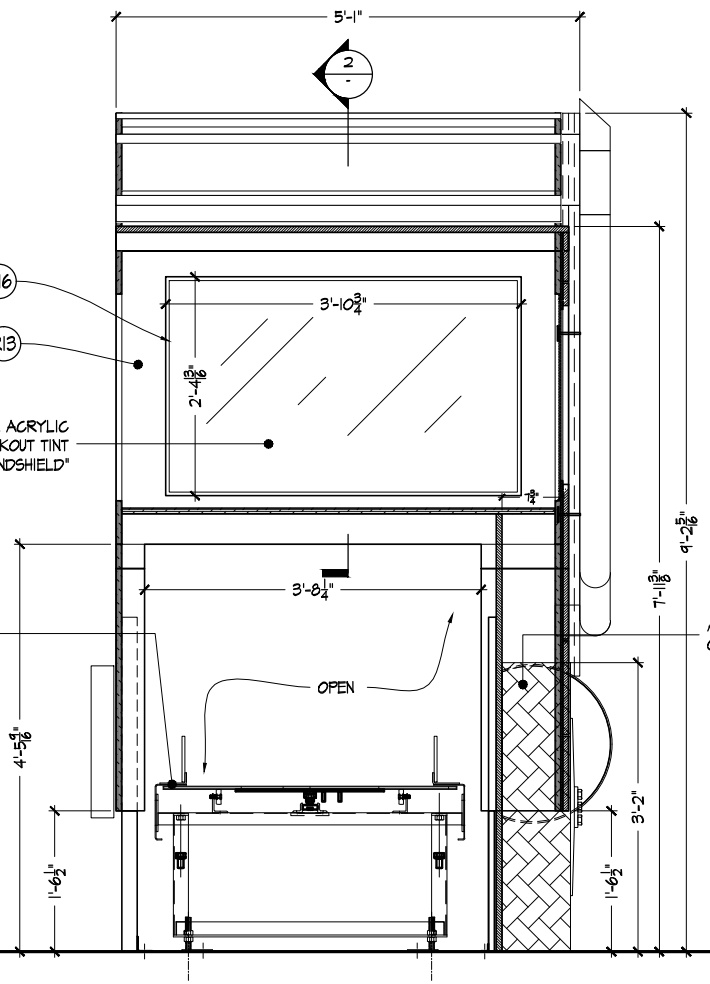
TITLE: EC: WASTE TRUCK CAB CONSTRUCTION	PROJECT: DISCOVERY SCIENCE CENTER ECO STORE & WASTE TRUCK	LOCATION: 2500 MAIN STREET SANTA ANA, CA 92705
---	---	--

DRAWING NUMBER:
EC-WT 1.4

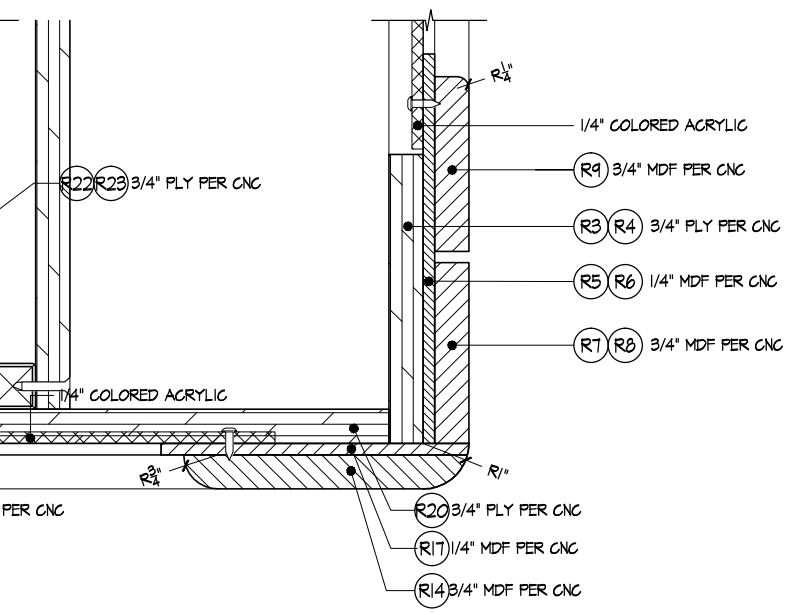
REV. NUMBER:



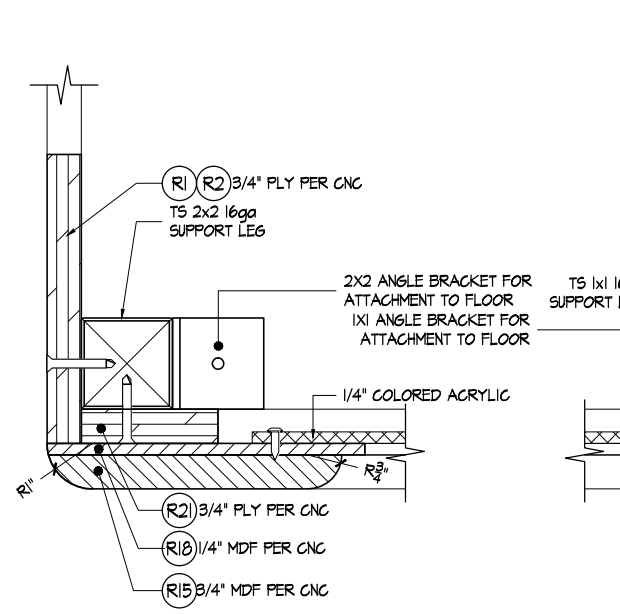
PLAN
SCALE: 1"=1'-0"



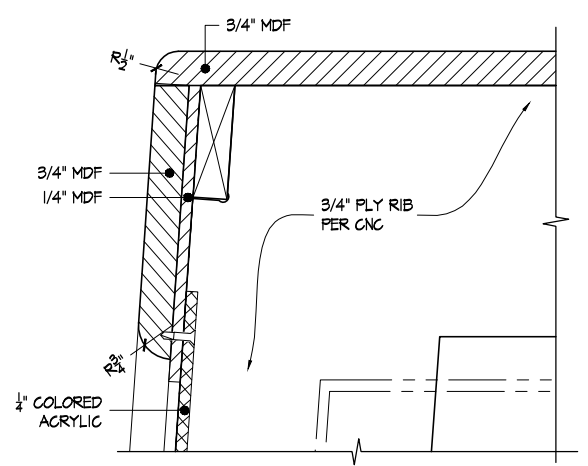
ELEVATION/SECTION
SCALE: 1"=1'-0"



SECTION
SCALE: 1"=1'-0"



3 DETAIL
HALF SCALE



4 DETAIL
HALF SCALE

FOR APPROVAL: _____

REVISIONS:

DATE	DESCRIPTION	REV. NO.

SCALE: AS NOTED

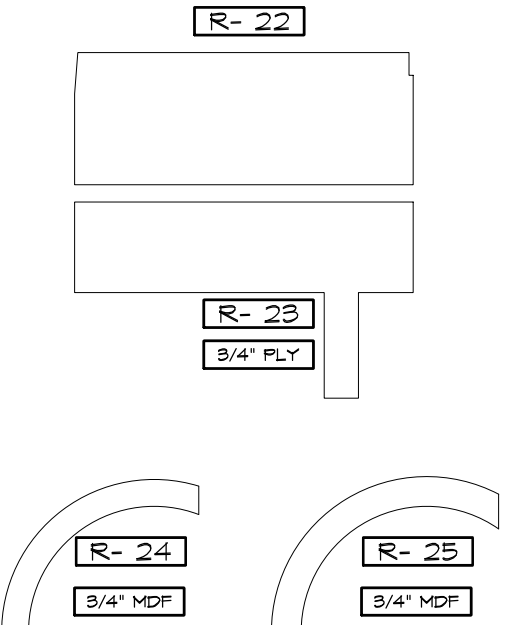
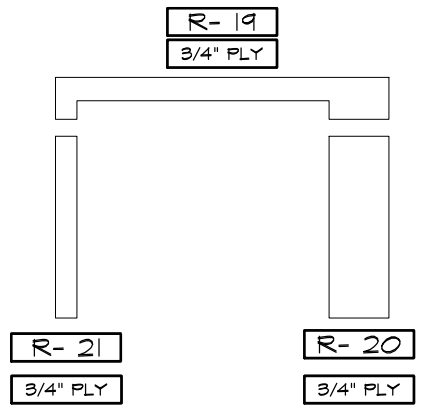
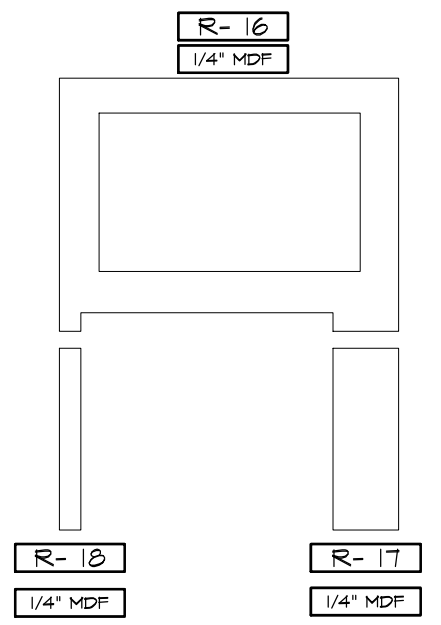
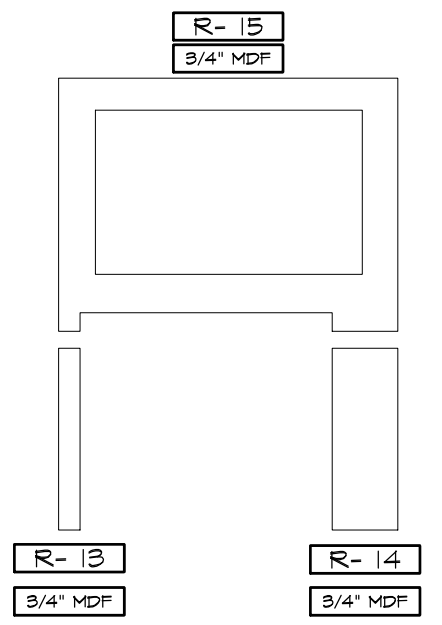
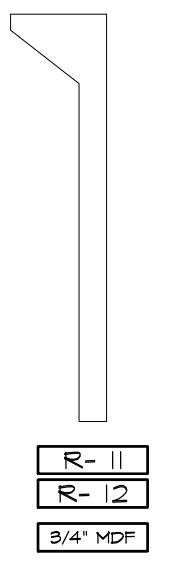
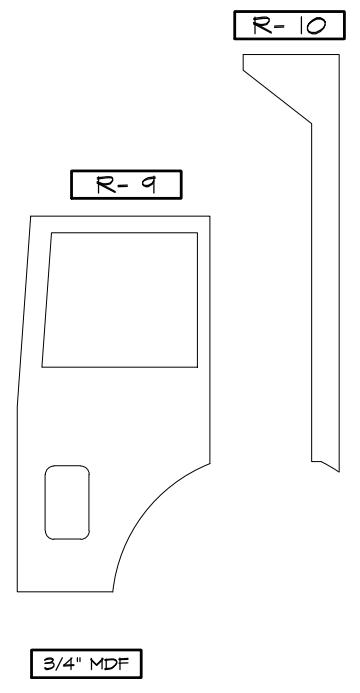
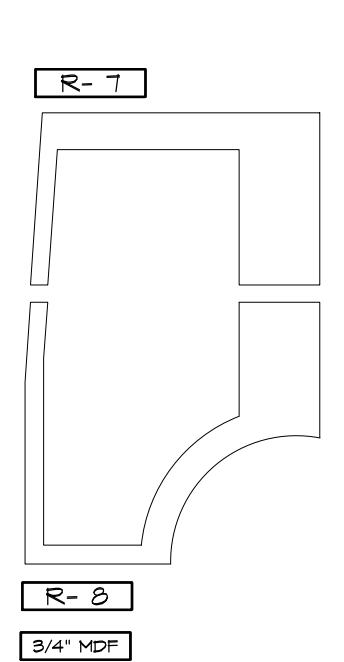
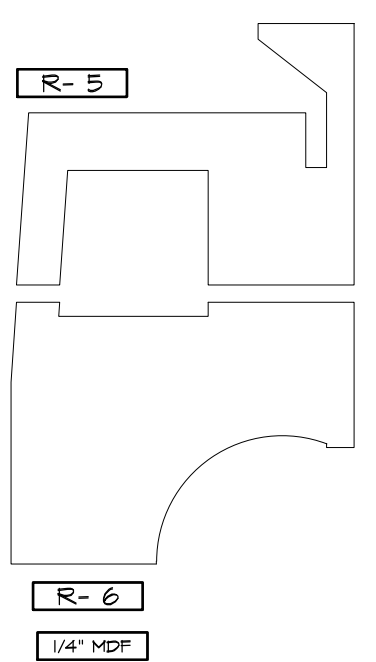
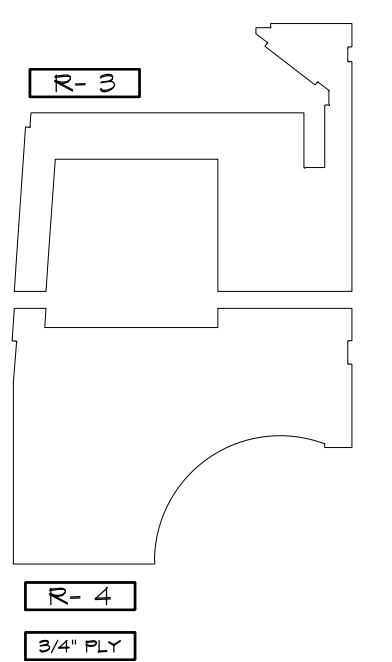
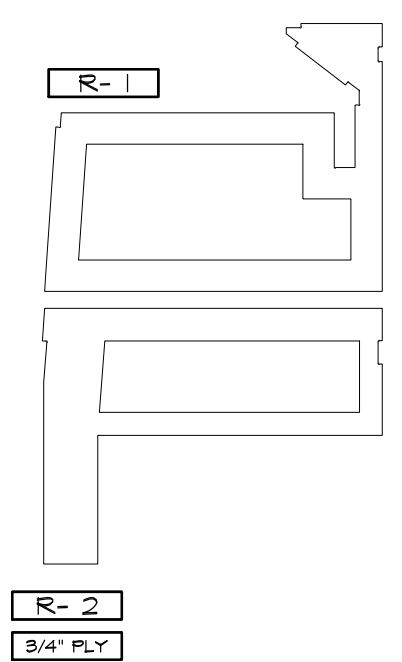
DRAWN BY: C. CONTI	DATE DRAWN: 8/30/2011
CHECK BY: J.C.	PROJ. MGR.: J.L.

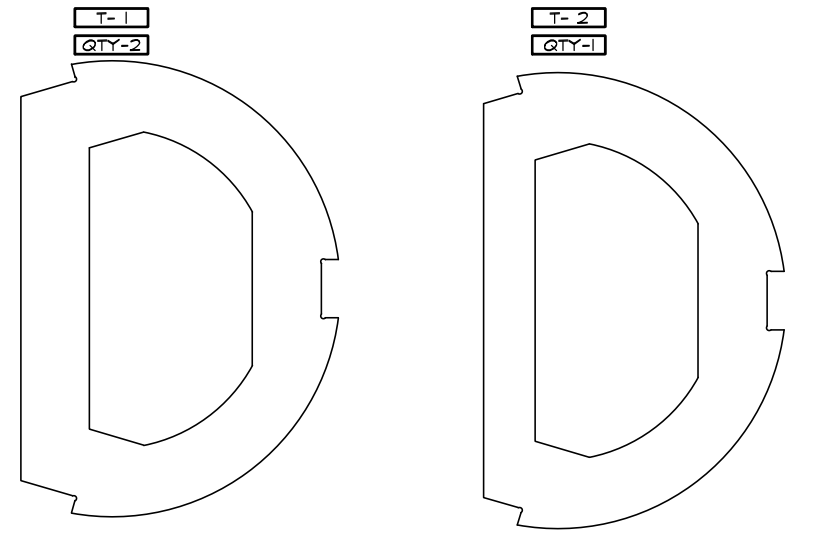
PROJECT NAME: DSC
PROJECT NO.: 12983

TITLE: EC: WASTE TRUCK CAB CNC PARTS	PROJECT: DISCOVERY SCIENCE CENTER ECO STORE & WASTE TRUCK	LOCATION: 2500 MAIN STREET SANTA ANA, CA 92705
---	---	--

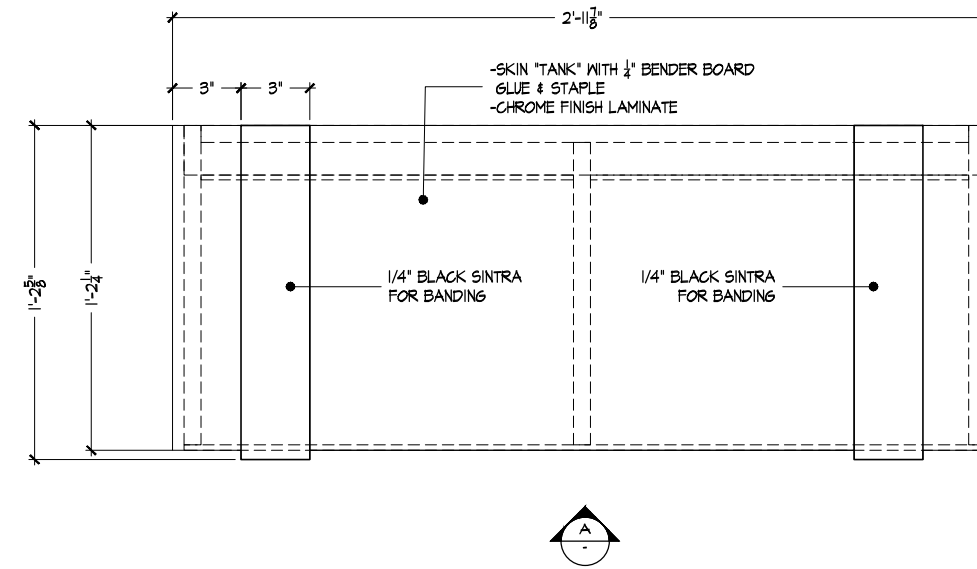
DRAWING NUMBER:
EC-WT 1.4A

REV. NUMBER:

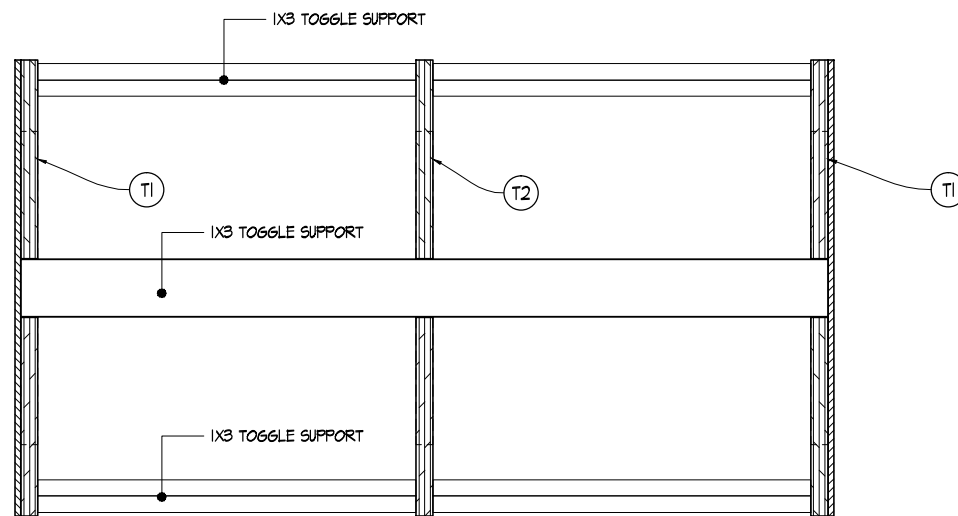




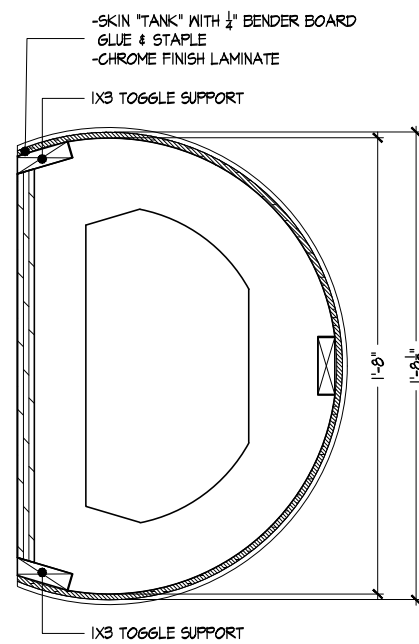
3/4" PLY
DETAIL - CNC PARTS
SCALE: 3"=1'-0"



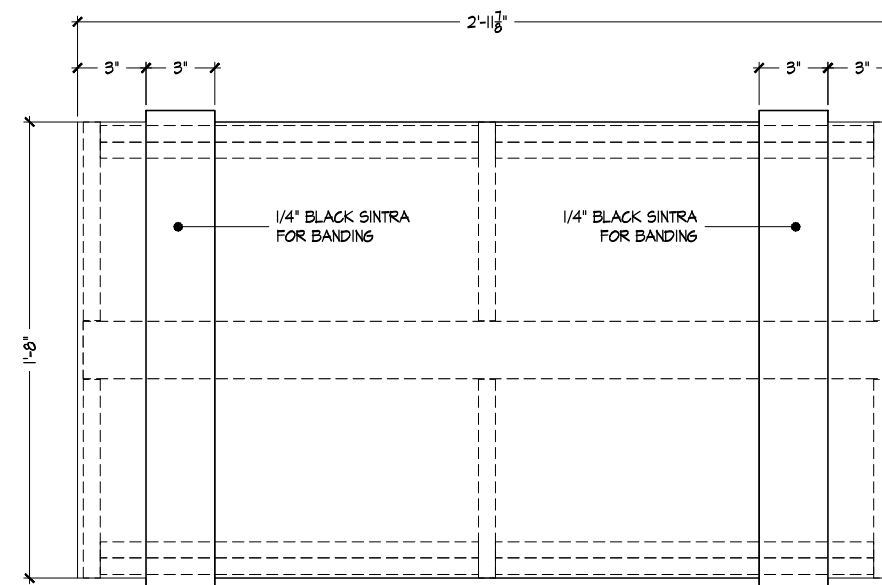
PLAN
SCALE: 3"=1'-0"



A ELEVATION
SCALE: 3"=1'-0"



I SECTION
SCALE: 3"=1'-0"



A ELEVATION
SCALE: 3"=1'-0"



DISCOVERY
SCIENCE CENTER

CINNABAR
CALIFORNIA, INC.
4571 ELECTRONICS PL
Los Angeles, CA 90039
P: 818-842-8190
F: 818-842-0563
www.cinnabar.com

FOR APPROVAL: _____

REVISIONS:

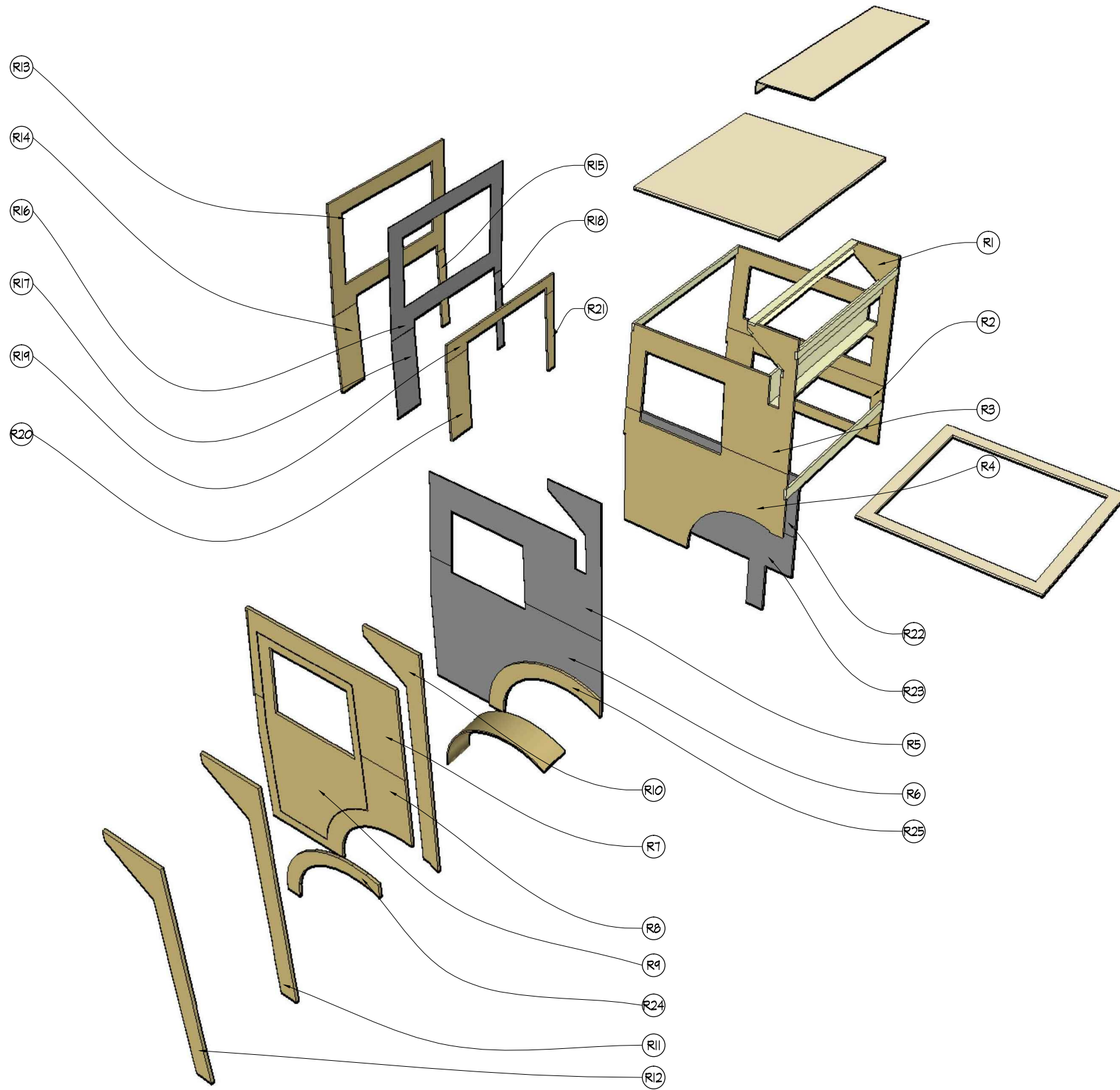
DATE	DESCRIPTION	REV. NO.

SCALE: AS NOTED

DRAWN BY: C. CONTI	DATE DRAWN: 8/30/2011
CHECK BY: J.C.	PROJ. MGR.: J.L.
PROJECT NAME: DSC	
PROJECT NO.: 12983	

TITLE: EC: WASTE TRUCK GAS TANK	PROJECT: DISCOVERY SCIENCE CENTER ECO STORE & WASTE TRUCK	LOCATION: 2500 MAIN STREET SANTA ANA, CA 92705
---	---	--

DRAWING NUMBER:
EC-WT 1.4B
REV. NUMBER:



 PERSPECTIVE VIEW - CNC PARTS ASSEMBLY
 FULL SCALE



DISCOVERY
SCIENCE CENTER

CINNABAR
CALIFORNIA, INC.

4571 ELECTRONICS PL
Los Angeles, CA 90039
P: 818-842-8190
F: 818-842-0563
www.cinnabar.com

FOR APPROVAL:

REVISIONS:

DATE	DESCRIPTION	REV. NO.

SCALE:

AS NOTED

DRAWN BY: C. CONTI	DATE DRAWN: 8/30/2011
CHECK BY: J.C.	PROJ. MGR.: J.L.

PROJECT NAME:

DSC

PROJECT NO.:

12983

TITLE: EC: WASTE TRUCK CAB LAYOUT

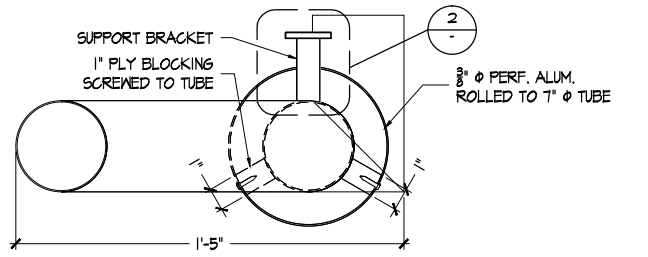
PROJECT: DISCOVERY SCIENCE CENTER
ECO STORE & WASTE TRUCK

LOCATION: 2500 MAIN STREET
SANTA ANA, CA 92705

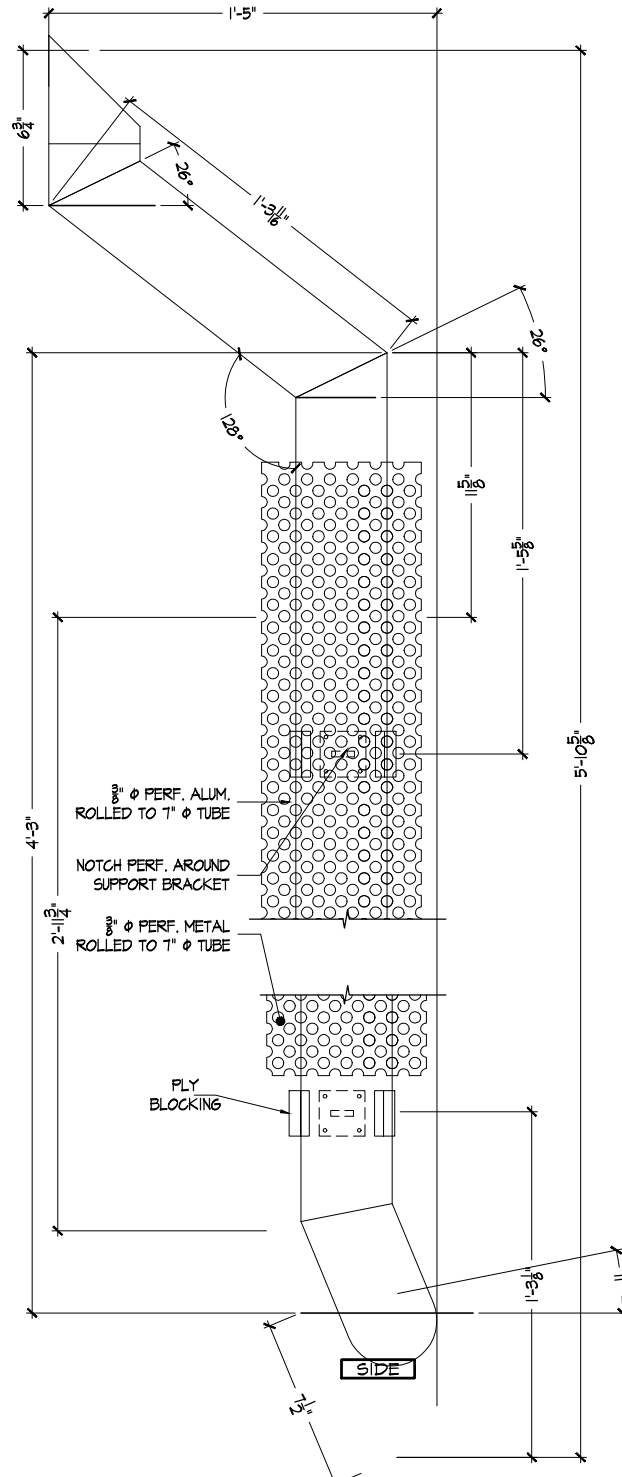
DRAWING NUMBER:

EC-WT 1.4C

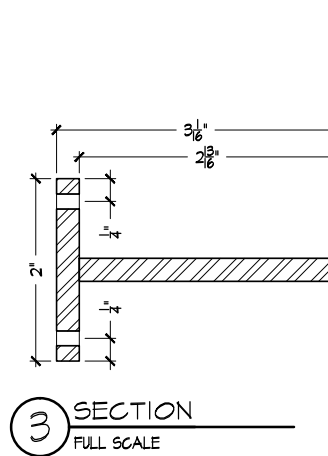
REV. NUMBER:



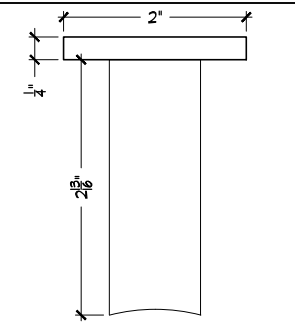
1 PLAN
SCALE: 3"=1'-0"



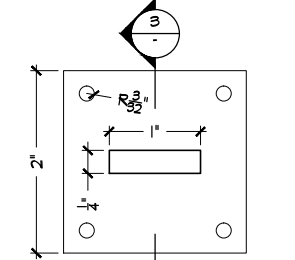
1 4" ϕ STEEL TUBE
DETAIL - EXHAUST
SCALE: 3"=1'-0"



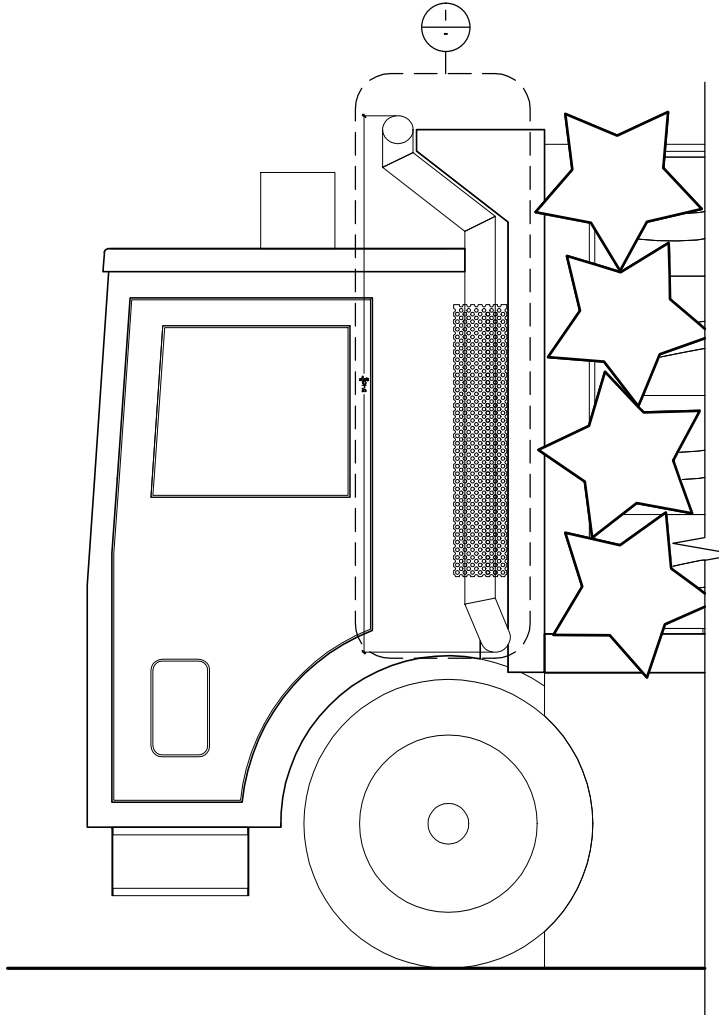
3 SECTION
FULL SCALE



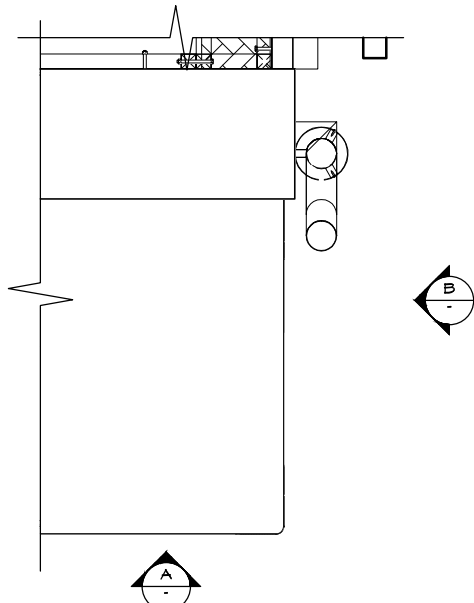
2 PLAN
FULL SCALE



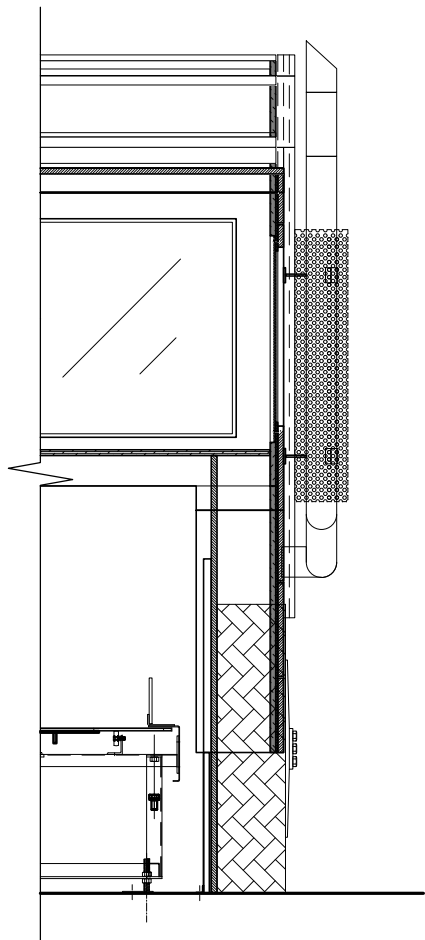
C ELEVATION
FULL SCALE



B SIDE VIEW
SCALE: 1"=1'-0"



1 PLAN
SCALE: 1"=1'-0"



A ELEVATION
SCALE: 1"=1'-0"



CINNABAR
CALIFORNIA, INC.

4571 ELECTRONICS PL
Los Angeles, CA 90039
P: 818-842-8190
F: 818-842-0563
www.cinnabar.com

REVISIONS:		
DATE	DESCRIPTION	REV. NO.

SCALE: AS NOTED	
DRAWN BY: C. CONTI	DATE DRAWN: 8/30/2011
CHECK BY: J.C.	PROJ. MGR.: J.L.
PROJECT NAME: DSC	
PROJECT NO.: 12983	

TITLE: EC: WASTE TRUCK EXHAUST	PROJECT: DISCOVERY SCIENCE CENTER ECO STORE & WASTE TRUCK	LOCATION: 2500 MAIN STREET SANTA ANA, CA 92705
--------------------------------	--	---

DRAWING NUMBER: EC-WT 1.4D
REV. NUMBER:



**DISCOVERY
SCIENCE CENTER**

**CINNABAR
CALIFORNIA, INC.**

4571 ELECTRONICS PL
Los Angeles, CA 90039
P: 818-842-8190
F: 818-842-0563
www.cinnabar.com

FOR APPROVAL:

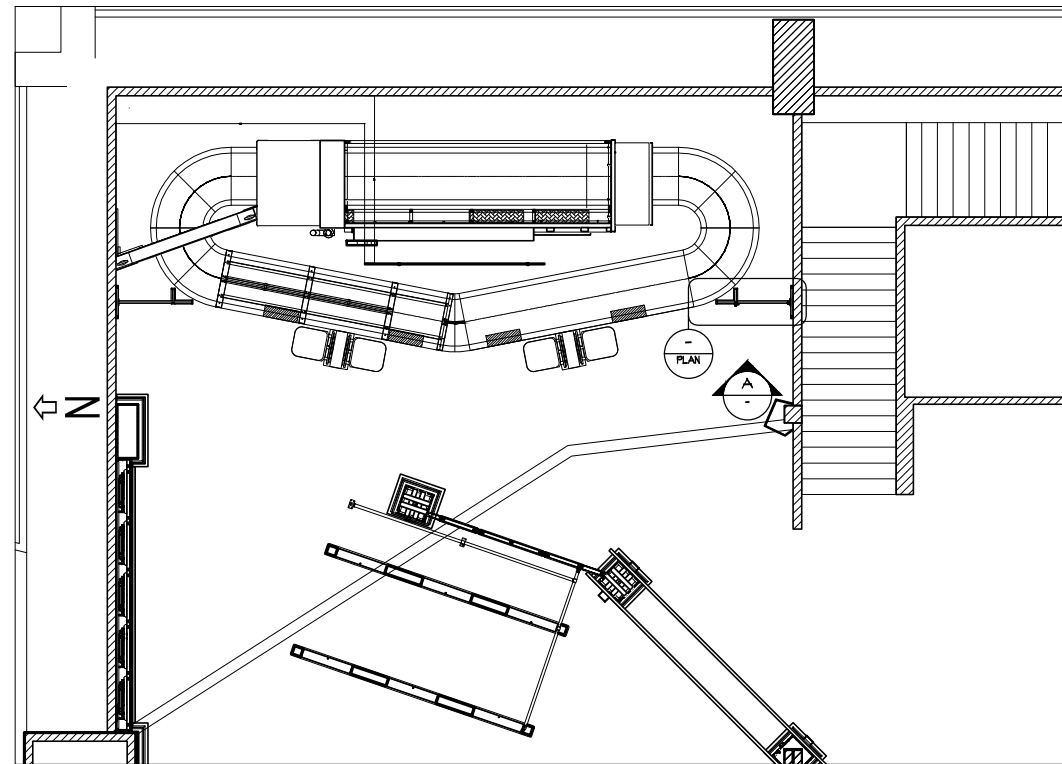
REVISIONS:		
DATE	DESCRIPTION	REV. NO.

SCALE:	AS NOTED
DRAWN BY:	DATE DRAWN:
D. WOLFE	3/29/2011
CHECK BY:	PROJ. MGR.:
J.C.	J.L.
PROJECT NAME:	DSC
PROJECT NO.:	12983

TITLE:	EC: WASTE TRUCK SAFETY RAILING WITH GATE
PROJECT:	DISCOVERY SCIENCE CENTER ECO STORE & WASTE TRUCK
LOCATION:	2500 MAIN STREET SANTA ANA, CA 92705

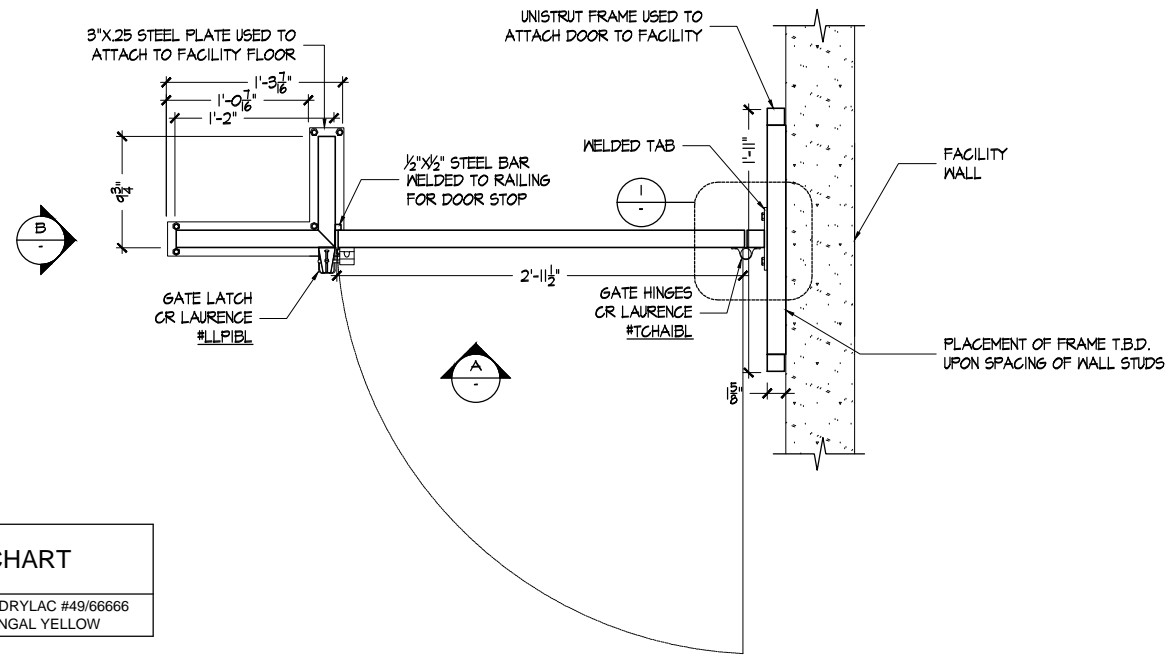
DRAWING NUMBER:	EC-WT 2.0
-----------------	-----------

REV. NUMBER:

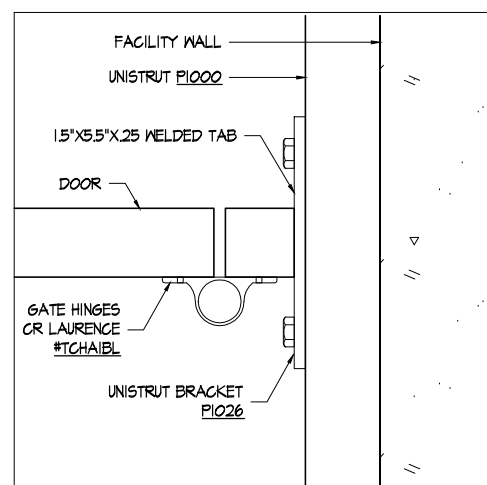


KEY PLAN - SAFTEY RAILING WITH GATE
SCALE: 3/16"=1'-0"

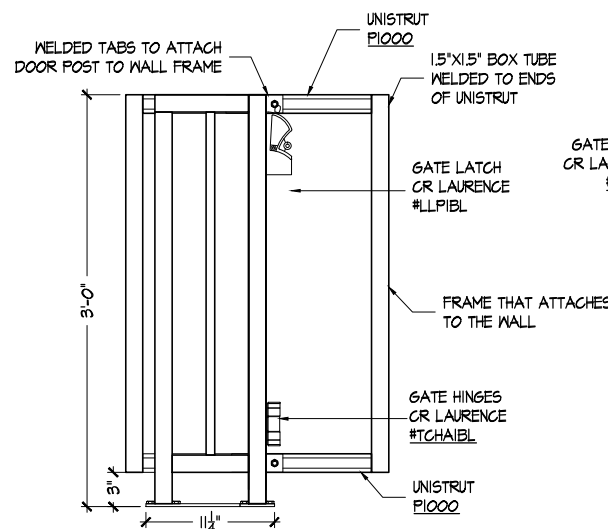
FINISH CHART	
PC-4	TIGER DRYLAC #49/66666 BENGAL YELLOW



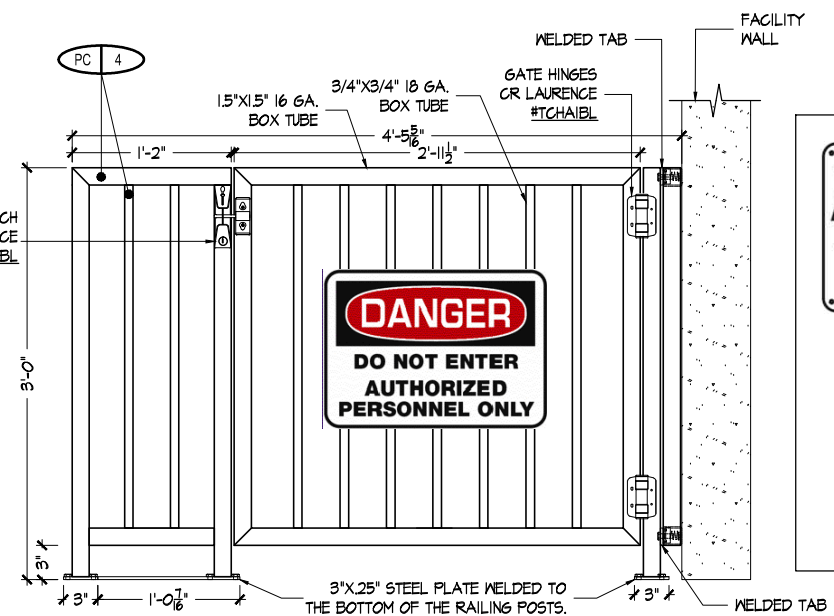
PLAN - SAFETY RAILING WITH GATE
SCALE: 1/2"=1'-0"



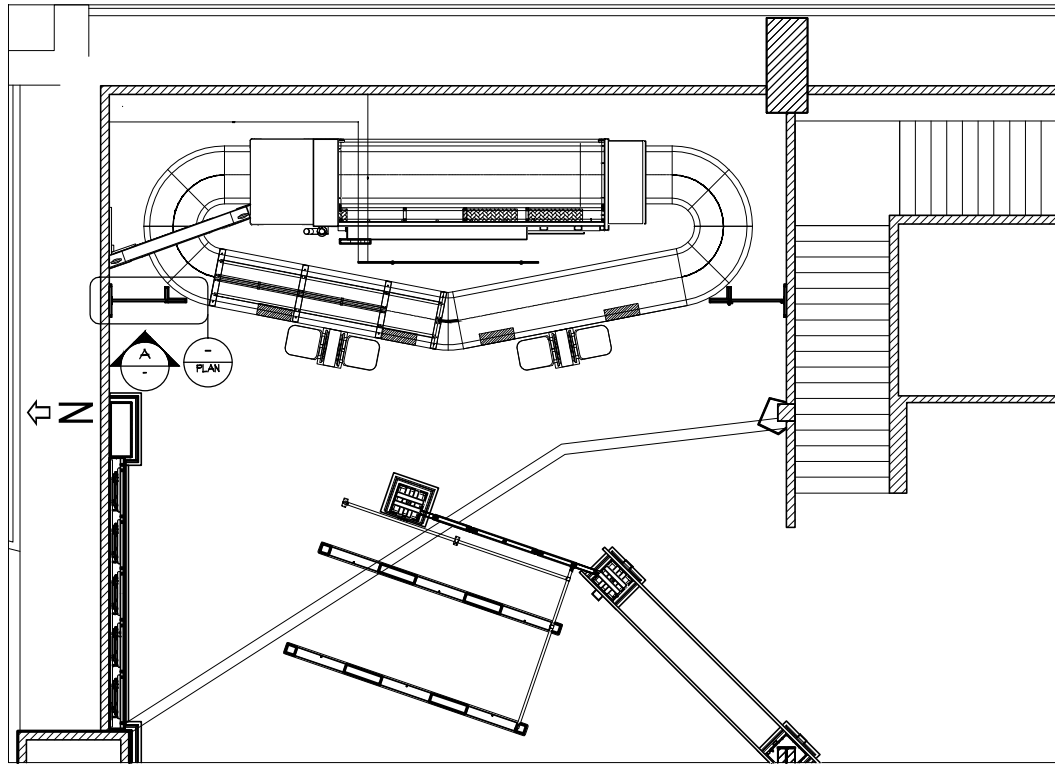
DETAIL
HALF SCALE



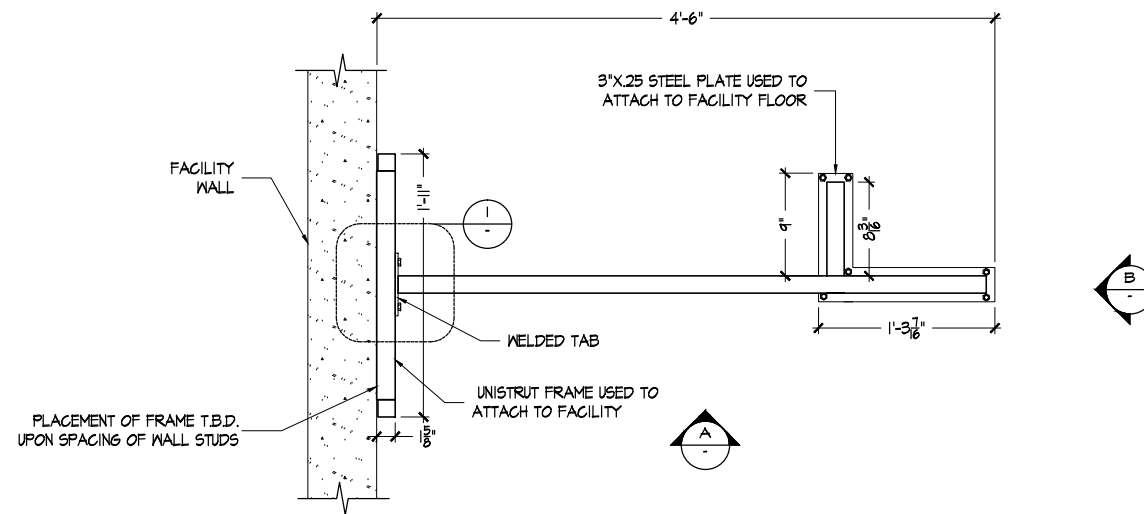
B SIDE ELEVATION
SCALE: 1/2"=1'-0"



A ELEVATION
SCALE: 1/2"=1'-0"



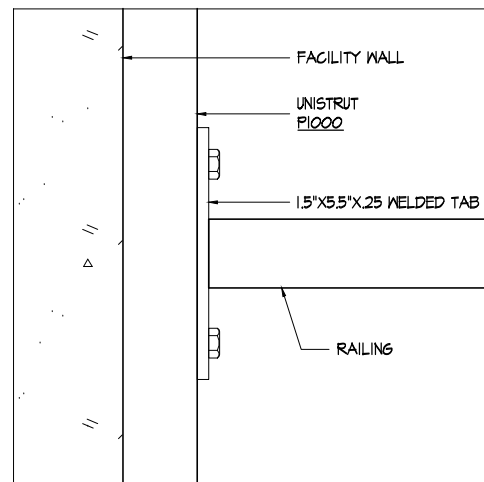
KEY PLAN - SAFETY RAILINGS
SCALE: 3/16"=1'-0"



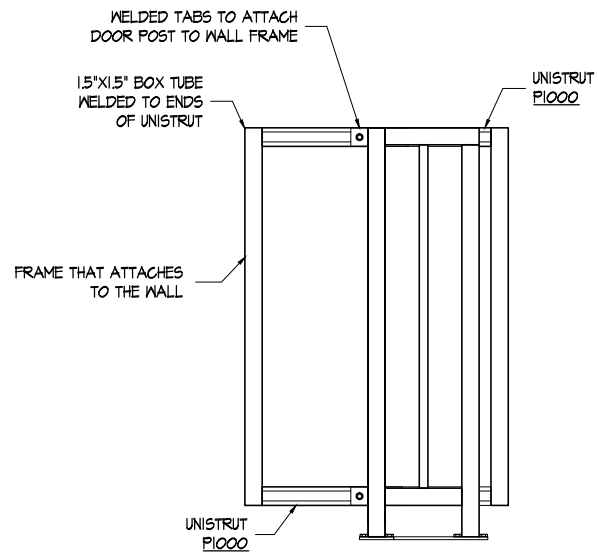
PLAN - SAFETY RAILING
SCALE: 1 1/2"=1'-0"

FINISH CHART

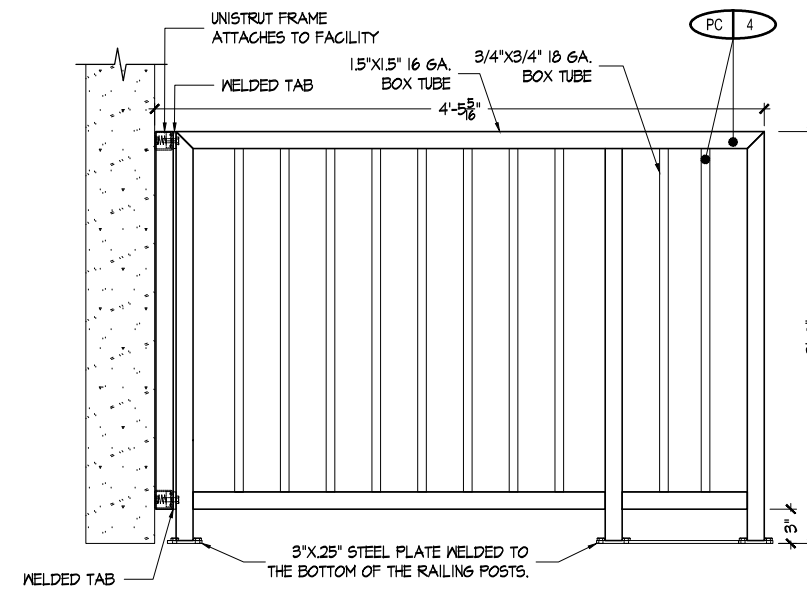
PC-4	TIGER DRYLAC #49/66666 BENGAL YELLOW
------	---



DETAIL
HALF SCALE



B SIDE ELEVATION
SCALE: 1 1/2"=1'-0"



A ELEVATION
SCALE: 1 1/2"=1'-0"



CINNABAR CALIFORNIA, INC.

4571 ELECTRONICS PL
Los Angeles, CA 90039
P: 818-842-8190
F: 818-842-0563
www.cinnabar.com

FOR APPROVAL:

REVISIONS:		
DATE	DESCRIPTION	REV. NO.

SCALE:	AS NOTED
DRAWN BY:	DATE DRAWN:
D.WOLFE	3/29/2011
CHECK BY:	PROJ. MGR. :
J.C.	J.L.
PROJECT NAME :	
DSC	
PROJECT NO. :	
12983	

TITLE:	EC: WASTE TRUCK SAFETY RAILING
PROJECT:	DISCOVERY SCIENCE CENTER ECO STORE & WASTE TRUCK
LOCATION:	2500 MAIN STREET SANTA ANA, CA 92705

DRAWING NUMBER:
EC-WT 2.1

REV. NUMBER:



CINNABAR
CALIFORNIA, INC.

4571 ELECTRONICS PL
Los Angeles, CA 90039
P: 818-842-8190
F: 818-842-0563
www.cinnabar.com

FOR APPROVAL:

REVISIONS:

DATE	DESCRIPTION	REV. NO.

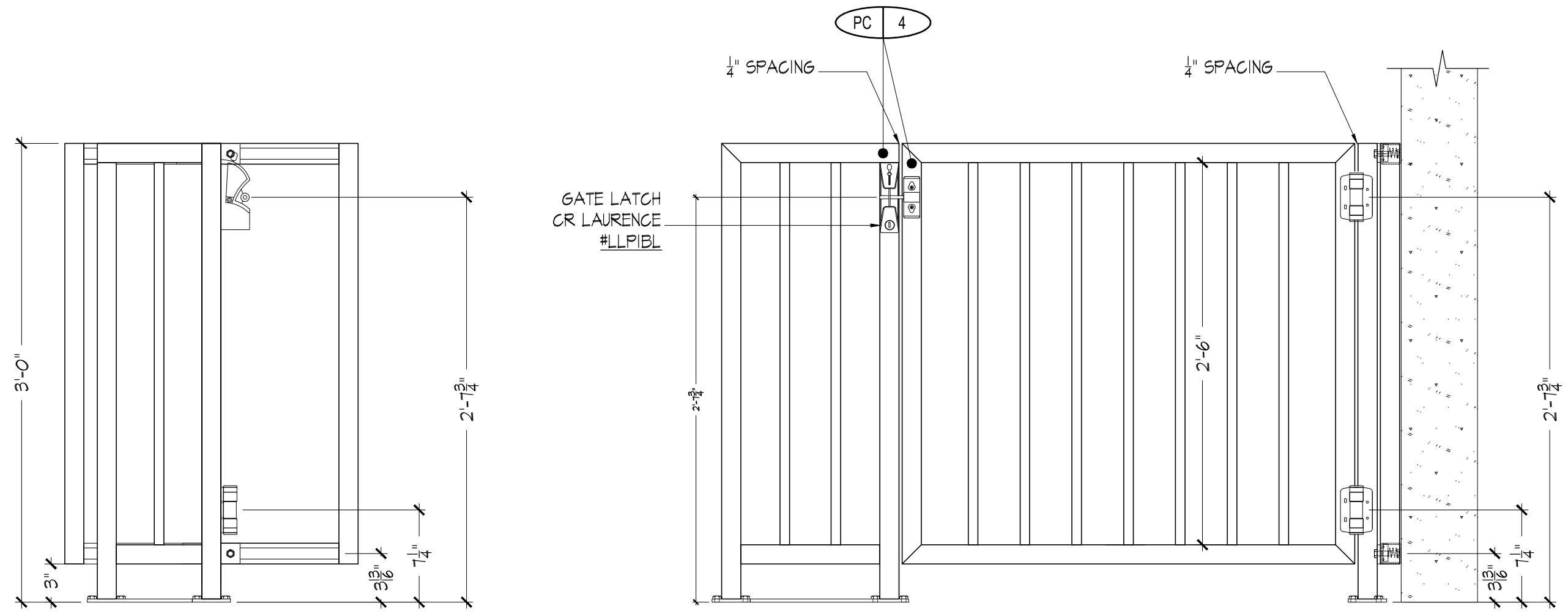
SCALE: AS NOTED

DRAWN BY: D.WOLFE	DATE DRAWN: 8/30/2011
CHECK BY: J.C.	PROJ. MGR.: J.L.
PROJECT NAME: DSC	
PROJECT NO.: 12983	

TITLE: EC: WASTE TRUCK SAFETY RAILING	PROJECT: DISCOVERY SCIENCE CENTER ECO STORE & WASTE TRUCK	LOCATION: 2500 MAIN STREET SANTA ANA, CA 92705
--	---	--

DRAWING NUMBER:
EC-WT 2.1A

REV. NUMBER:



B SIDE ELEVATION
SCALE: 1 1/2"=1'-0"

A ELEVATION
SCALE: 1 1/2"=1'-0"